

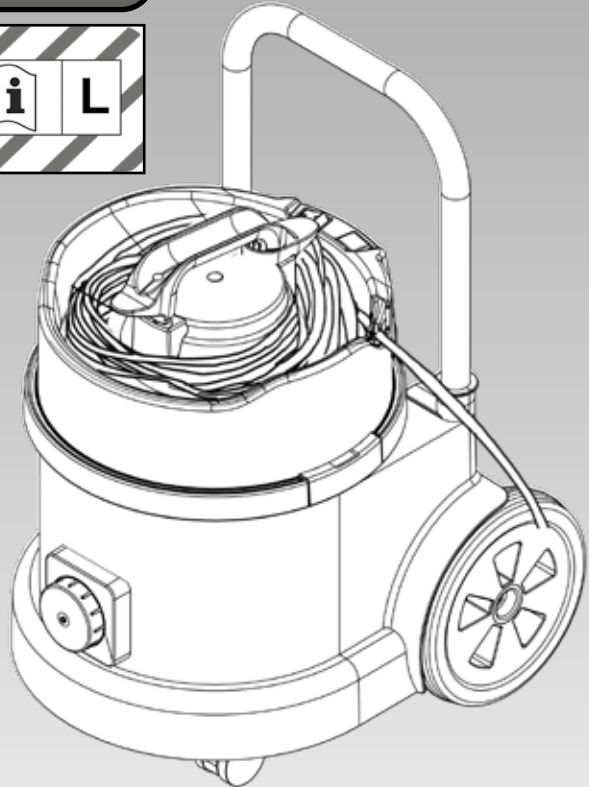
PLEASE READ BEFORE COMMENCING OPERATION

This machine is suitable for DRY
use only.

Make sure that the filtration system
fitted to the machine is suitable for
the material being collected.



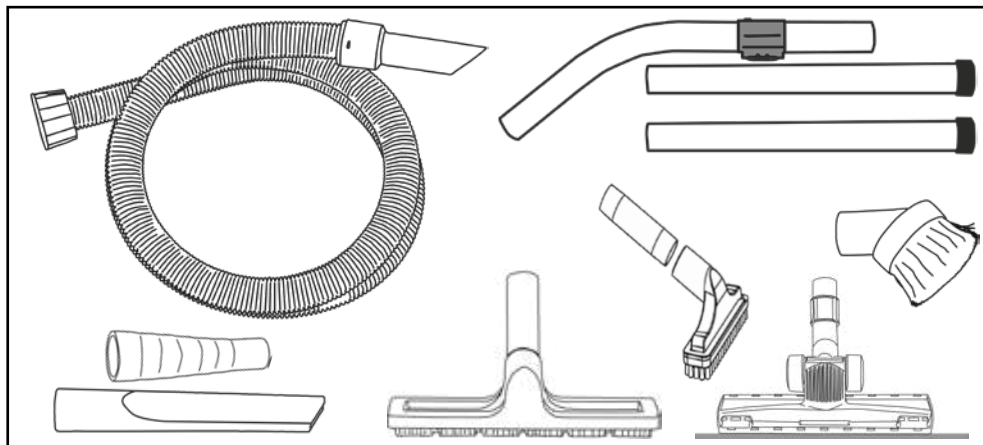
L-Class



Owner Instructions

CAUTION, Read the Instructions before using the machine.

TEL 390-11
620W (Kit AS10)



601102 2.9m NuFlexFlex Hose

601008 Stainless Steel Extension Tube x2

601052 Stainless Steel Bend Tube

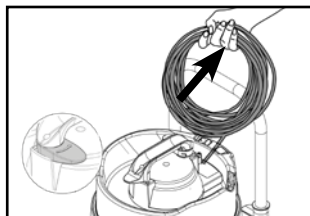
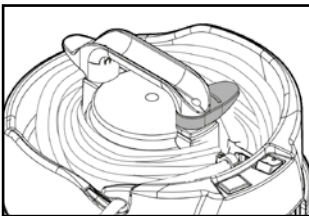
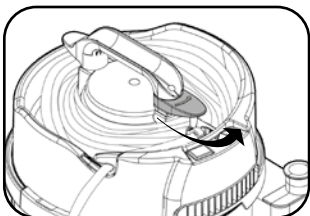
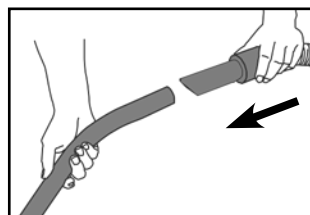
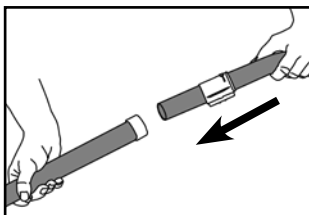
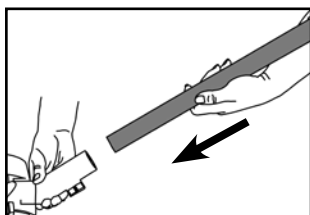
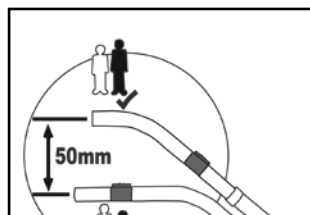
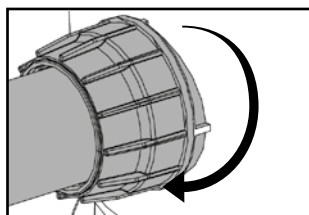
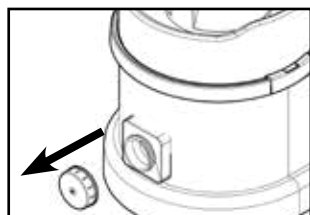
601176 Multi Size Power Adaptor

900918 MultiFlo 300 mm Dry Floor Tool

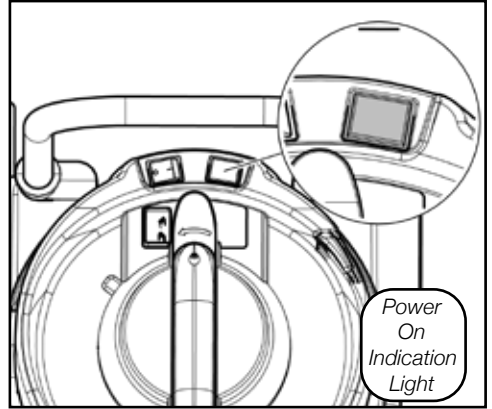
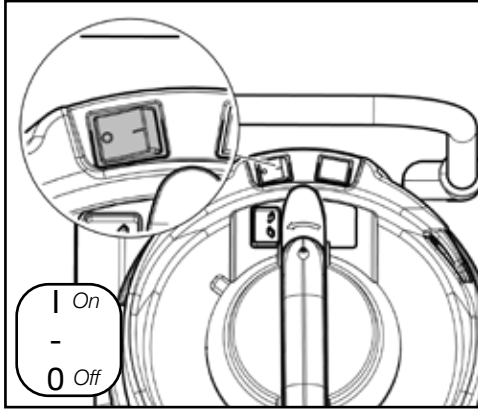
601430 FreeFlo 290 Floor Tool

601999 5 Piece Accessory Kit

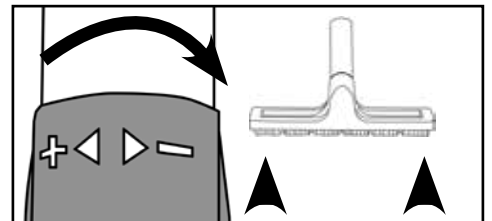
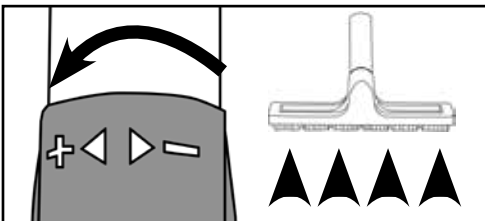
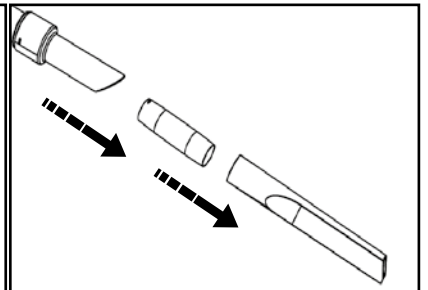
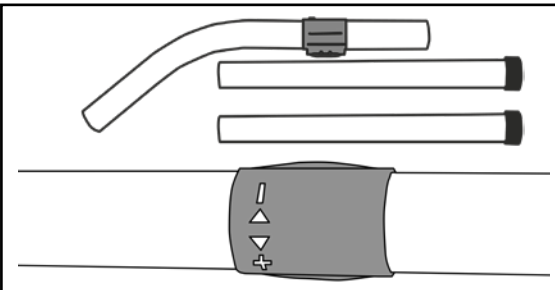
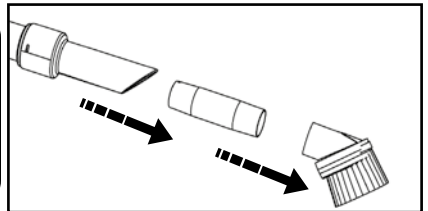
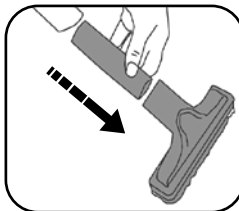
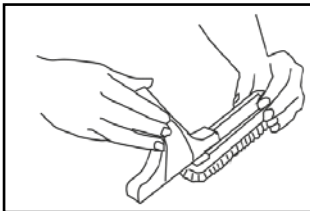
Assembly



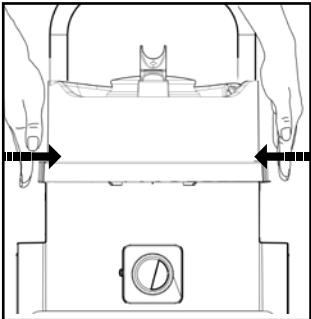
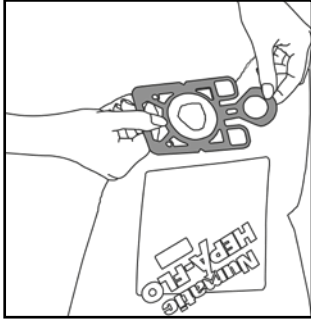
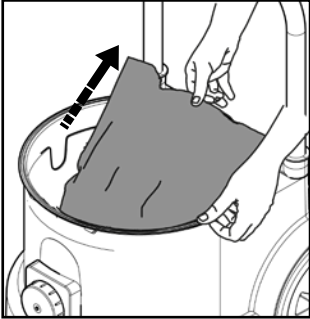
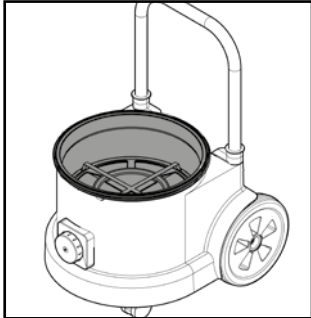
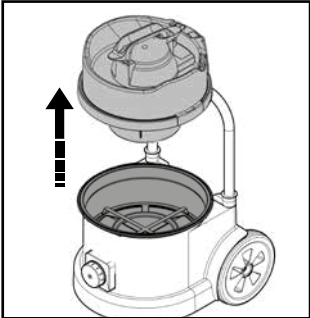
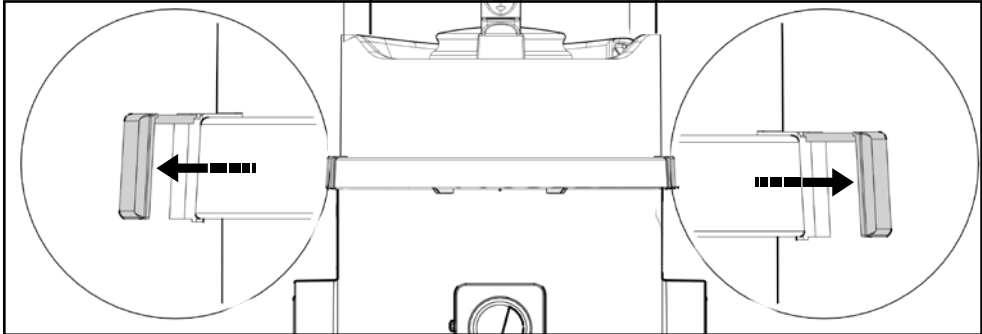
Machine Function



Using your Machine



Cleaning your Machine

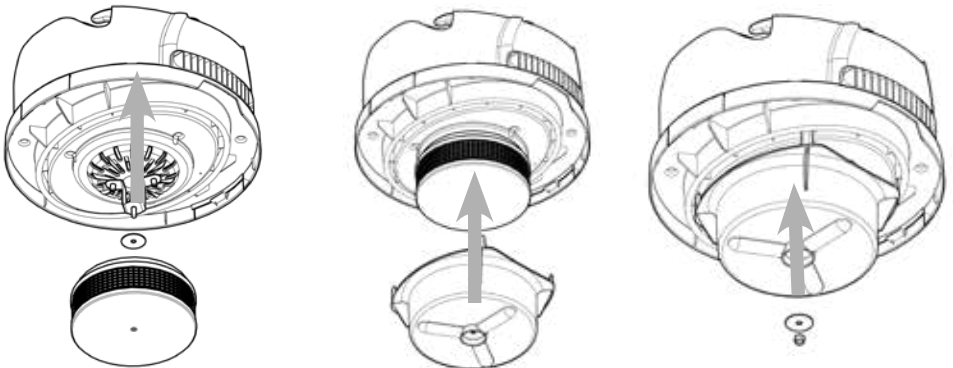
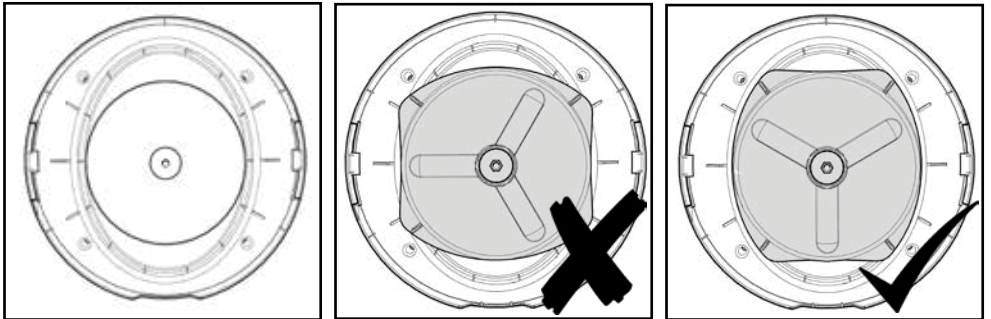
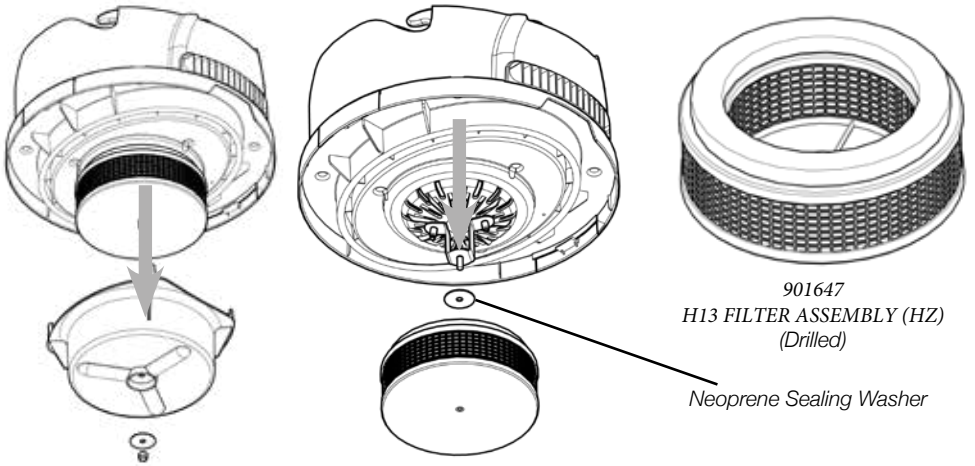


Replacing the Cartridge Filter

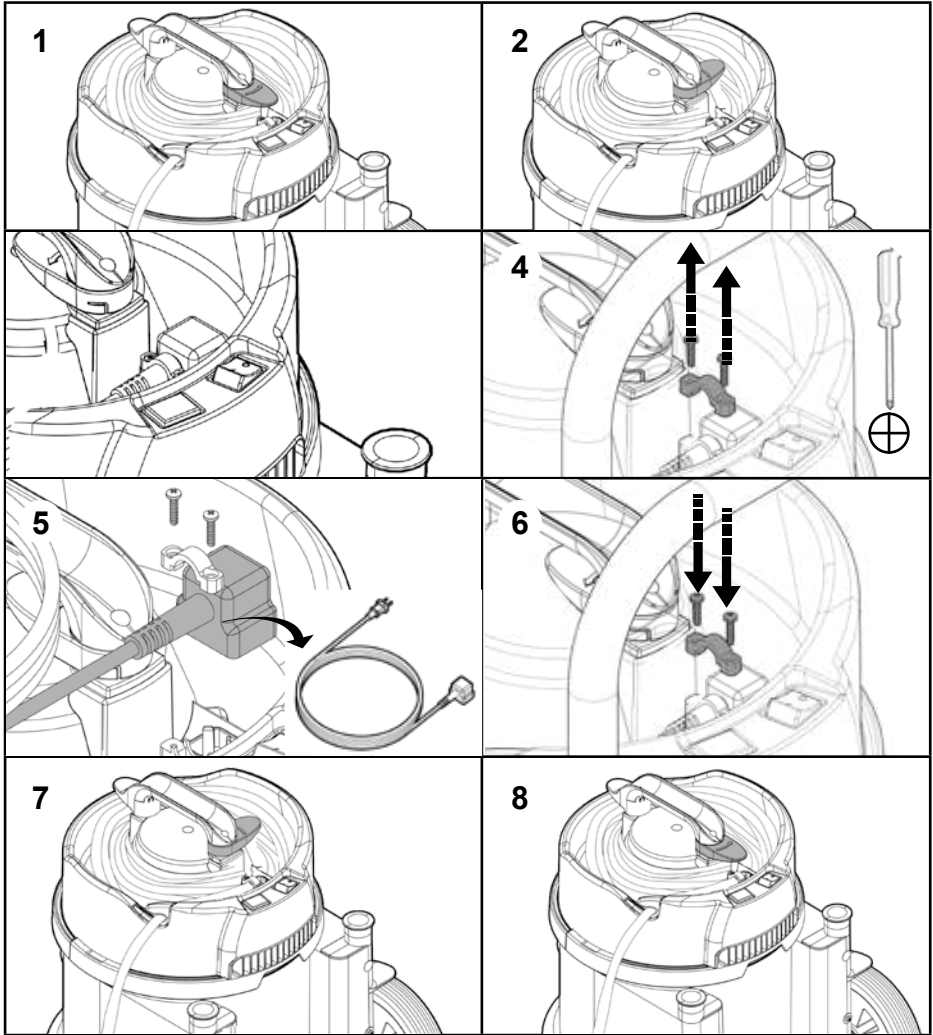
Replacing HEPA filters process:

Remove the contaminated HEPA filter and place in a suitably impervious plastic bag and dispose of in accordance with current regulations.

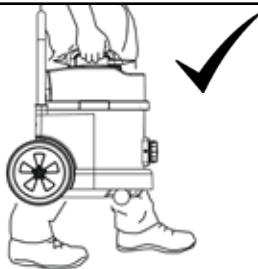
Replace the HEPA filter with an identical Numatic approved part (901647)



Changing / Replacing Cable

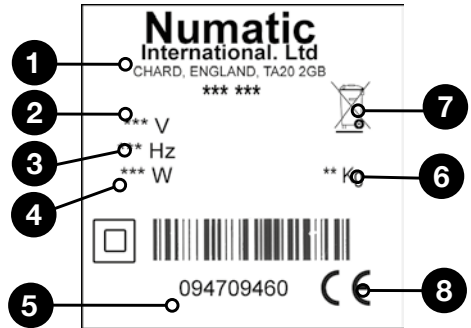


Moving your machine



About the Machine

Rating Label	
1	Company Name & Address
2	Machine Description
3	Voltage Frequency
4	Power rating
5	Machine yr/wk Serial number
6	Weight (ready to use)
7	WEEE Logo
8	CE Mark



Safety Critical Component:

Mains Lead

(110V) H05VV-F 10m x 2 x 1.0mm²
H05VV-F 10m x 2 x 1.0mm²

WEEE (Waste, Electrical and Electronic Equipment)

Vacuum Cleaner Accessories and packaging should be sorted for environmentally-friendly recycling.

Only for EU countries.

Do not dispose of Vacuum Cleaner into household waste.

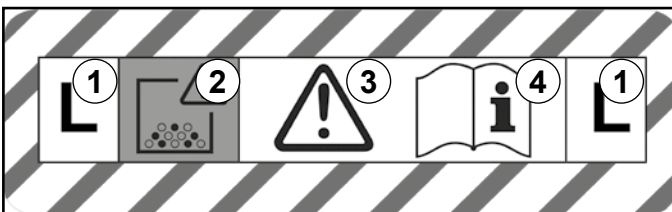
According to the European Directive 2012/19/EU on waste electrical electronic equipment and its incorporation into national law, vacuum cleaners that are no longer suitable for use must be separated, collected and sent for recovery in an environmentally-friendly manner.



PPE (personal protective equipment) That may be required for certain operations.

Ear Protection	Safety Footwear	Head Protection	Safety Gloves	
				Caution Floor Sign
Eye Protection	Protective Clothing	Dust / Allergens Protection	Hi Viz Jacket	

NOTE: A risk assessment should be conducted to determine which PPE should be worn.



Label Explained

1. L type Vacuum Cleaner
2. Caution, debris contained inside the vacuum cleaner could be hazardous to health
3. Caution!
4. Read instructions before use

Information for DRY use Vacuum cleaners

WARNING

Read the instruction manual before using the machine.

Operators shall be adequately instructed on the use of their machine.

As with all electrical equipment, care and attention must be exercised at all times during use, in addition to ensuring that routine and preventative maintenance is carried out periodically to ensure safe operation.

Failure to carry out maintenance as necessary, including the replacement of parts to the correct standard could render this equipment unsafe and the manufacturer can accept no responsibility in this respect.

Maintenance should only be carried out by a qualified person.

This machine is for DRY USE only and must not be stored outside or used in wet conditions.

The machine shall be disconnected from the mains by removing the plug from the supply socket during cleaning or maintenance and when replacing parts or converting the machine to another function.

This machine is not to be used by children or persons with reduced physical, sensory or mental capabilities, or lack of experience or knowledge.

This appliance is intended to be cleaned and maintained by an adult.

Children being supervised are not to play with the machine.

This machine is not a toy.

This machine is not suitable for picking up hazardous or explosive dust.

Contact your local distributor if you require a machine capable of performing these tasks.

CAUTION

Ensure that the filtration system fitted to the machine is suitable for the material being collected.

This vacuum cleaner is intended for indoor use in the collection of dry materials.

This machine should be stored indoors only.

NOTES

The primary use for this machine is commercial, for example in hotels, schools, hospitals, factories, shops and offices.

This product complies with the requirements of clause 20 of IEC/EN 60335-2-69 Stability and Mechanical Hazards.

This vacuum cleaner is fitted with a thermal protection device. If the vacuum cleaner stops working, remove the plug from the wall before investigating where the fault lies.

If the vacuum cleaner has a blockage, switch off, remove the plug from the socket, inspect the floor tool, tubes and hose for debris. If the floor tool, tubes and hose are clear, replace the dust bag and clean the filter.

The vacuum cleaner should be inspected after use for damage.

The vacuum cleaner should be stored in a dry place.

When moving from one place to another, consider the weight of the machine.

DO

- Keep your machine clean including hoses and tubes.
- Change dust bag frequently.
- Keep filters clean.
- Keep diffuser filter (where fitted) clean.
- Use filter bags, they will enhance performance and help keep machine clean.
- Use a Numatic Original filter bag under fine dust conditions.
- Keep hoses and tubes clear.
- Replace any worn or damaged parts immediately.
- Only use the socket outlet on the machine for purposes specified in the instructions.
- Only use the brushes provided with the machine. The use of other brushes may impair safety.
- Regularly examine the power cord. If damage is found such as cracking or ageing the power cord must be replaced by a qualified person.
- Only replace the power cord with the correct Numatic approved replacement part.

DO NOT

- Pull on the cable to unplug the machine from the power supply.
- Use to suck up hot ashes or lighted cigarette ends.
- Use steam cleaners or pressure washers to clean the machine or use in the rain.
- Immerse in water for cleaning.
- Attempt machine maintenance or cleaning unless the power supply plug has been removed from the supply outlet.
- Use in wet environments or to collect wet materials.
- Under any circumstances place foreign objects including (but not limited to) air fresheners, air freshener capsules or scented beads of any type into the top filter of the machine. Doing so can be dangerous and risk damage to the machine and may invalidate the machine warranty.

Daily

Keep the machine clean, including hoses and tubes.
 Ensure the bag and filter are fitted.
 Regularly examine the power cord.
 Check dust bag frequently.
 Check filters are clean.

Weekly - as daily and:-

Check for any worn or damaged parts and replace immediately.

MAINTENANCE

Replacement Parts

Filter

604165

TriTex Filter

Hepaflo Filter bag

604016

10 x Hepaflo Filter bag NVM 2BH

H13 Filter

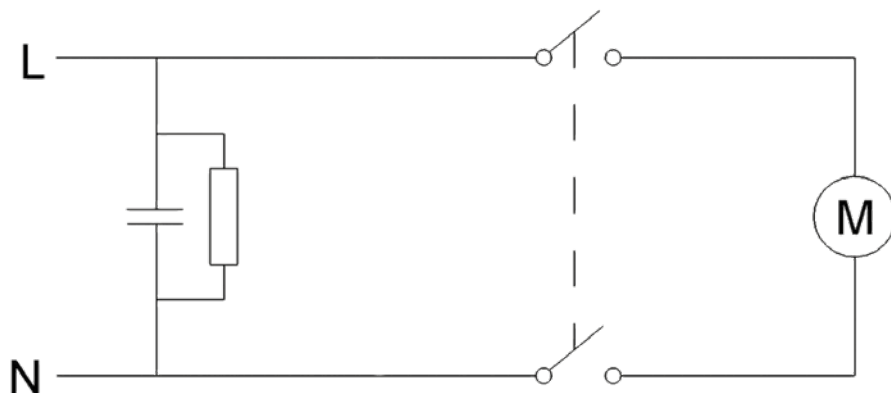
901647

H13 FILTER ASSEMBLY (HZ) (Drilled)

Data

Drum Size	Cleaning Range	Weight (Ready to work)	Sound Pressure (LpA) Uncertainty (KpA)	Protection Class	Dimensions
18 L	28 m	10.8 kg	$\leq 70.2 \text{ dB (A)}$ 0.5 dB	Class II	450 mm x 400 mm x 600 mm L x W x H
Max. Under pressure			Max Flow rate		
206.5 Mbar / 206.5 (hPa)			29 L /s / 104.4 m ³ /h		

Schematic Diagram





EU DECLARATION OF CONFORMITY

We hereby declare under our sole responsibility that the following equipment fulfils all the relevant provisions of the following EU Directives

Machinery Directive 2006/42/EC
EMC Directive 2014/30/EU
RoHS Directive 2011/65/EU

Machine Description: Vacuum Cleaner
Machine Type: TEL

Relevant standards upon which conformity is declared include:

EN 60335-1: 2012 + AC:2014 + A11:2014
EN 60335-2-69: 2012
EN 55014-1: 2006 + A1:2009 + A2:2011
EN 55014-2: 1997 + A1:2001 + A2:2008
EN 61000-3-2: 2014
EN 61000-3-3: 2013
EN 62233: 2008

A technical construction file for this equipment is retained at the manufacturer's address under the authorisation of the following signatory:

Name: Allyn Boyes Position: Development Manager

Signed

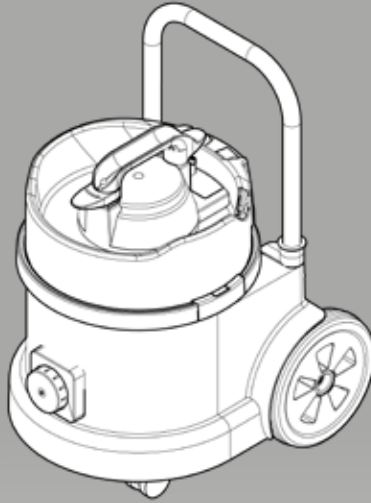
Date

20/11/16



Numatic International Ltd
Chard Somerset
TA20 2GB
www.numatic.co.uk

GB



Distributed by

NACECARE

1205 Britannia Road East
Mississauga Ontario L4W 1C7
Canada

Telephone: (800) 387 3210

Fax: (800) 709 2896

<http://www.nacecare.com>

Numatic International Limited.
Chard, Somerset TA20 2GB ENGLAND
Tel.: 01460 68600 **www.numatic.co.uk**



Specification subject to change without prior notice
www.numatic.co.uk © Numatic International Limited

909053 02/20 (A02)