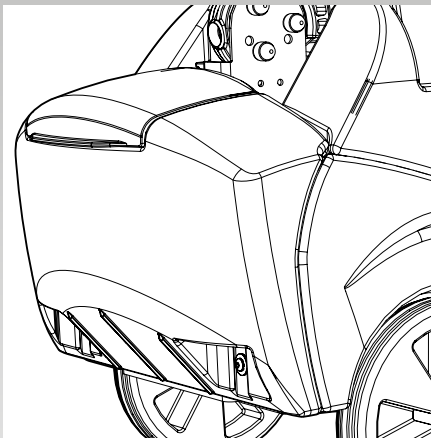
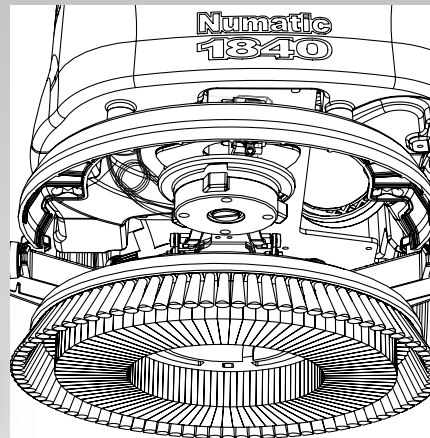


# TGB 516 36V SCRUBBER DRYER



## Original Instructions

Caution! Read instructions before using the machine



**Nu-Assist**



[www.numatic.co.uk](http://www.numatic.co.uk)



# SCRUBBER DRYER

# TTB 1840 36V

Index

**Machine Overview** ..... Page 2

**Control Panel Overview** ..... Page 3

**Quick Set up Guide** ..... Page 4

**Machine Set up Guide** ..... Page 5-6

Fitting the Brush / Pad ..... Page 5

Fitting the Floor-tool ..... Page 5

Filling the Clean Water Tank ..... Page 6

Fill Level Indicator ..... Page 6

Water Flow Adjustment .....Page 6

**Setting the Cleaning Controls** ..... Page 7

System Error Indicators ..... Page 7

**Machine Operation** ..... Page 8

Raising/Lowering Floor-tool..... Page 8

Emptying Top/Bottom Tanks ..... Page 8

Machine in Use ..... Page 8

**Regular Maintenance** ..... Page 9-10

Emptying Top/Bottom Tank..... Page 9

Separator ..... Page 9

Changing Floor-tool Blades ..... Page 10

Refitting the Floor-tool Blades ..... Page 10

**Lifting the Machine** ..... Page 11

**Specifications** ..... Page 12

**Trouble Shooting** ..... Page 12

**About the Machine** ..... Page 13

Rating Label / PPE / Recycling ..... Page 13

**Information for Scrubber Dryer** ..... Page 14

**Twintec Maintenance** ..... Page 15

**Spare Parts** ..... Page 15

Recommended Spare Parts ..... Page 15

Schematic Diagram ..... Page 15

**EU Declaration Document** ..... Page 16

**Warranty** ..... Page 17

**Company Address** ..... Page 19

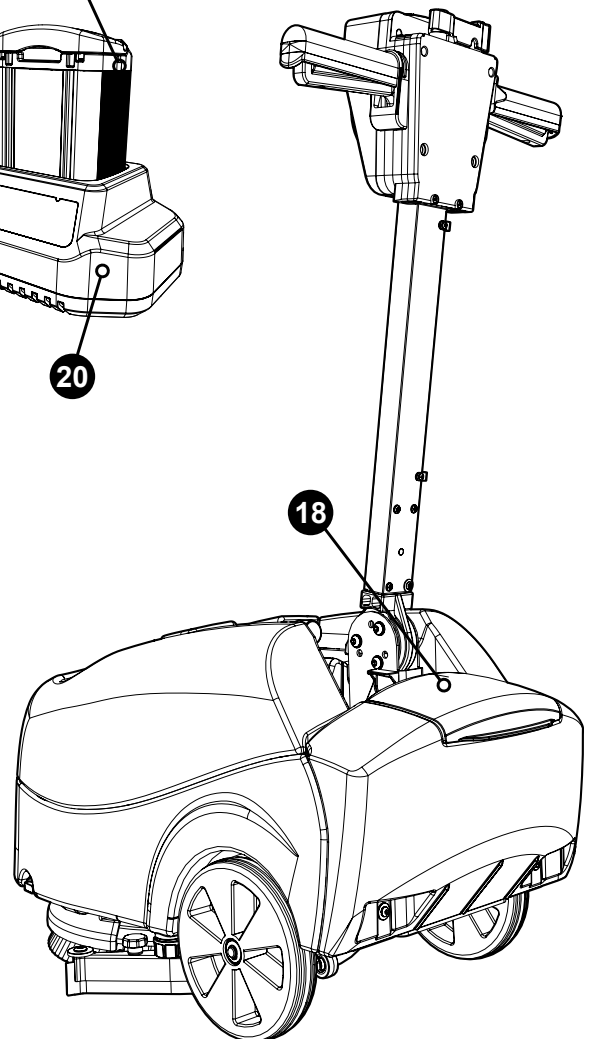
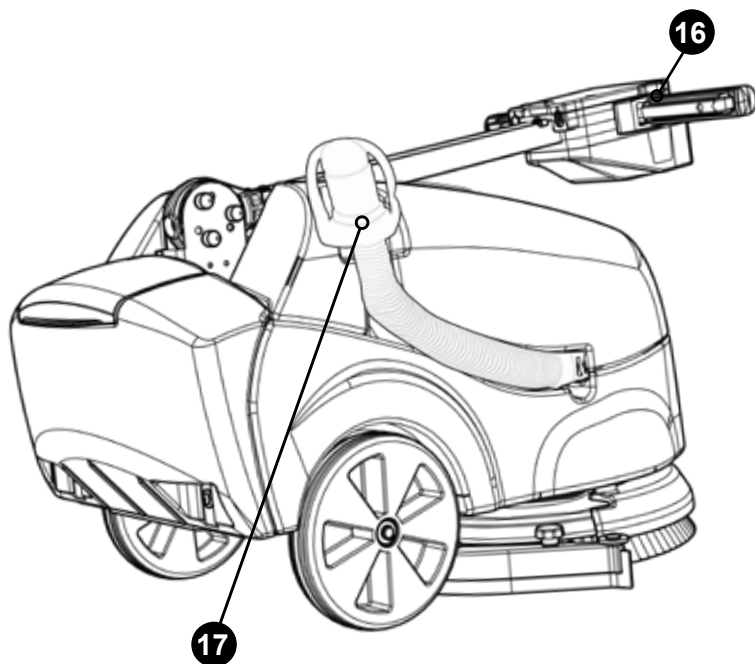
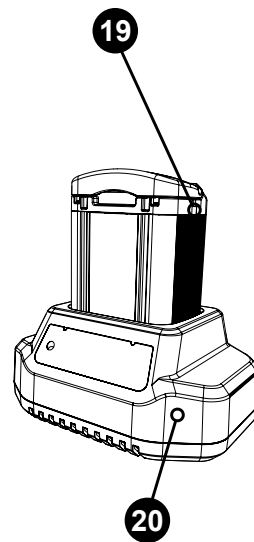
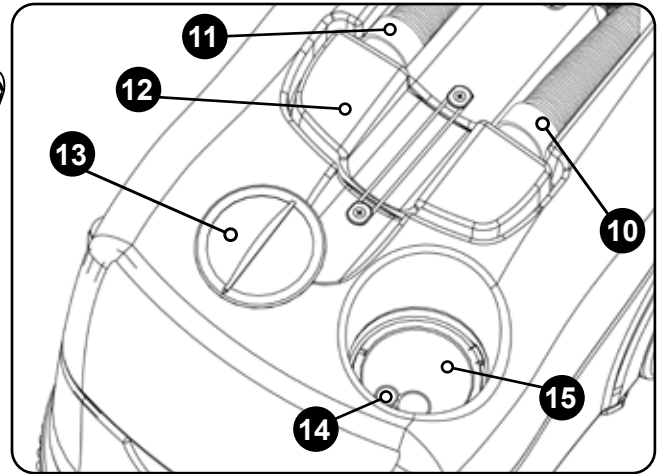
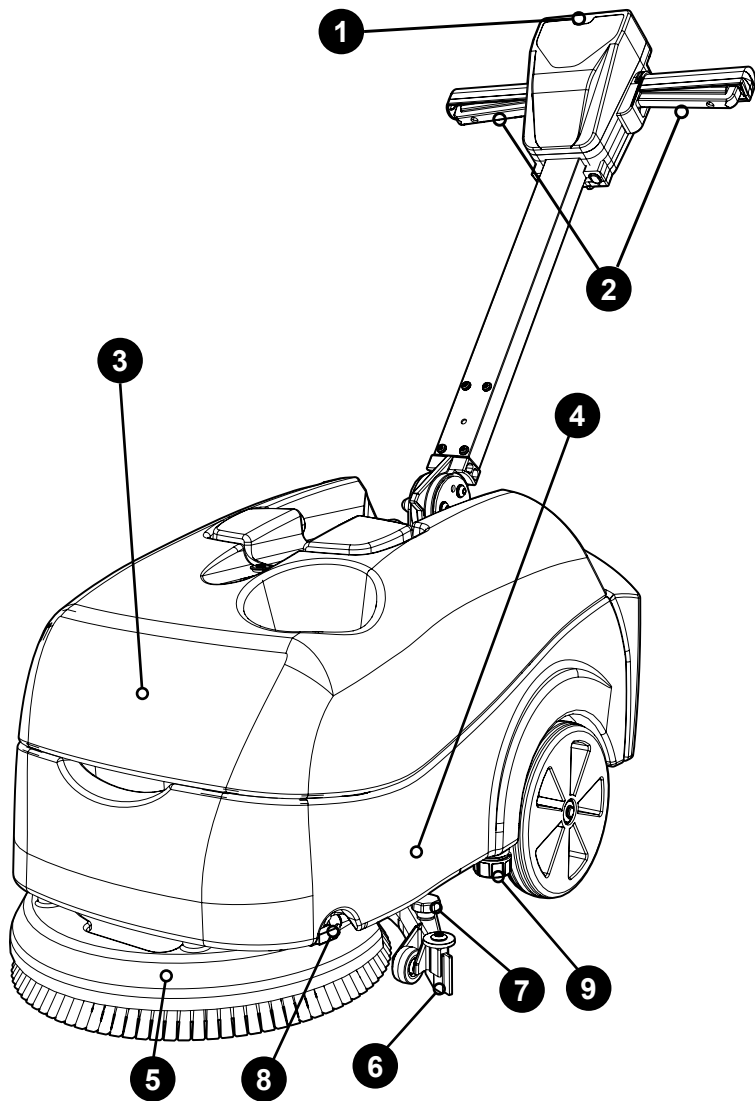
**PLEASE READ  
BEFORE COMMENCING  
OPERATION**

After the removal of all the packaging,  
carefully open and check the contents

- Owner Manual
- Battery & Charger Manual
- Battery Charger & Lead
- Battery •Scrub Brush
- Squeegee Assembly

1	Operator control panel ( see page 3 )
2	Triggers
3	Waste-water tank
4	Clean-water tank
5	Brush deck
6	Squeegee blades
7	Floor-tool retaining knobs
8	Clean-water On / Off tap
9	Clean-water emptying cap
10	Floor-tool vacuum hose
11	Vacuum hose
12	Separator
13	Clean-water filler cap
14	Clean-water level indicator
15	Clean-water tank fill point
16	Start Switch
17	Top tank (waste water) drainage hose
18	Battery compartment
19	Battery
20	Battery charger

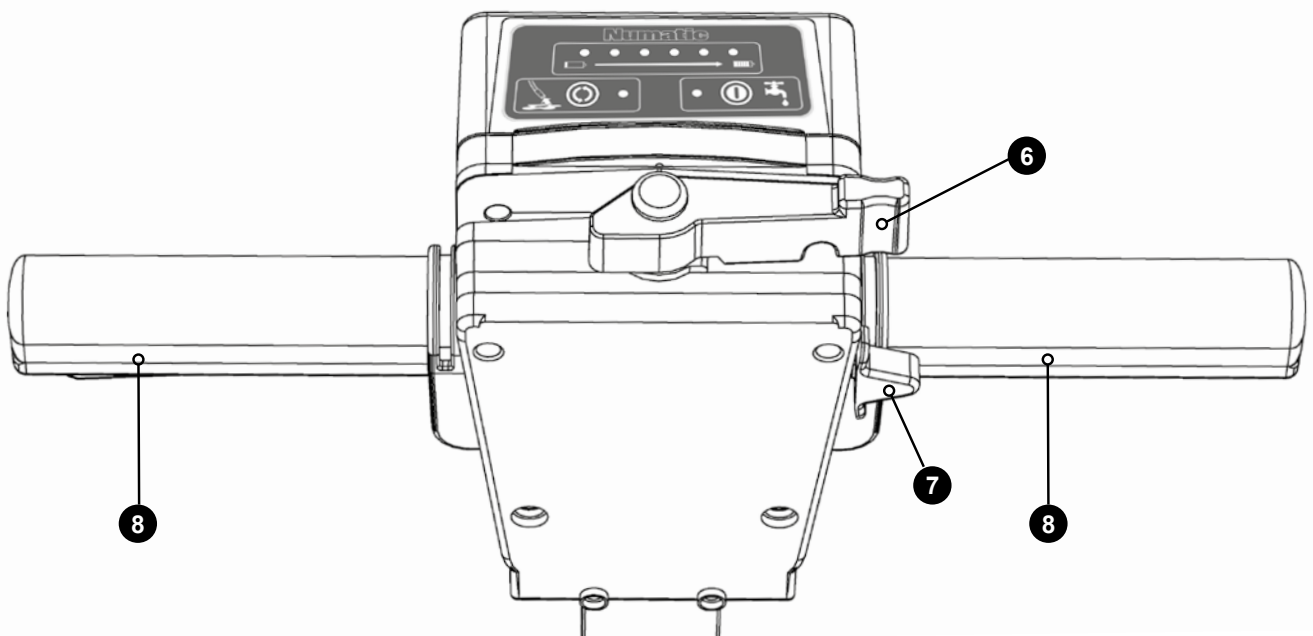
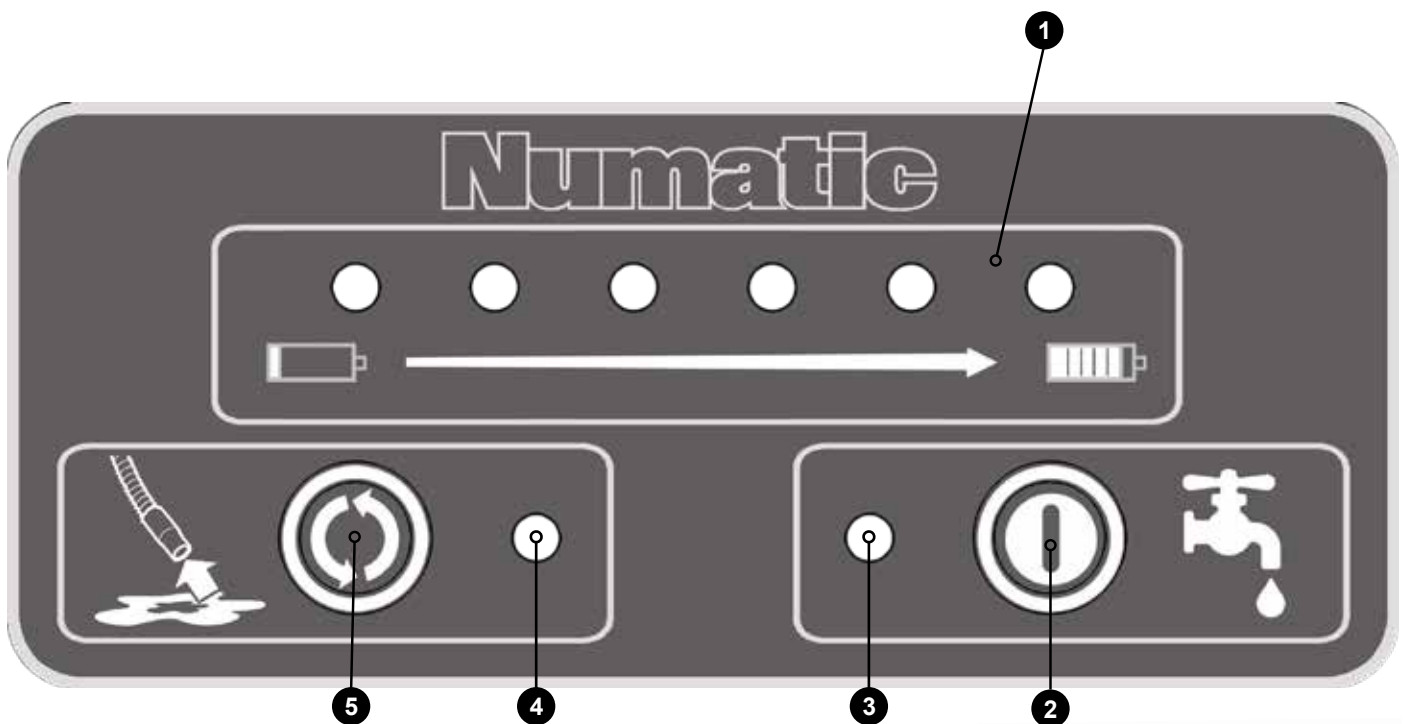
# Machine Overview



# SCRUBBER DRYER

# TTB 1840 36V

## Control Panel Overview



1	Battery Charge Level Display
2	Water Flow On / Off Button
3	Water Flow Indicator
4	Vacuum Off/On Indicator
5	Vacuum Off/On Button
6	Handle Position Lever
7	Start Switch
8	Triggers

*In the event of a breakdown contact  
your Numatic dealer or the  
Numatic Technical  
help line +44 (0)1460 269268*

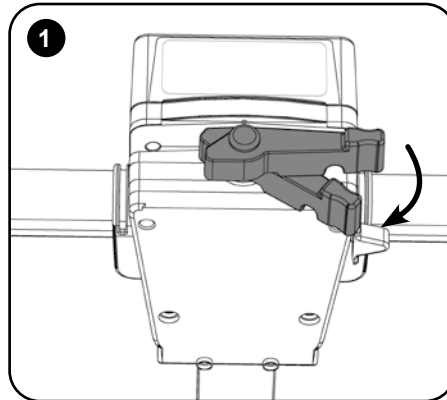


**PLEASE READ BEFORE COMMENCING ANY OPERATION. AFTER THE REMOVAL OF ALL THE PACKAGING, CAREFULLY OPEN AND CHECK THE CONTENTS.**

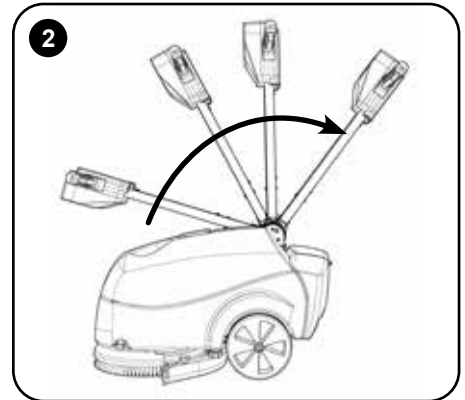


## TTB 1840 36V CONTENTS

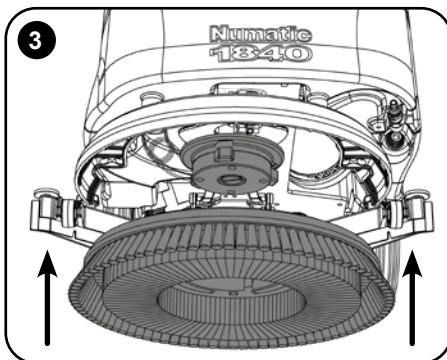
- Owner Manual
- Battery & Charger Manual
- Battery Charger & Lead
- Battery • Scrub Brush
- Squeegee Assembly



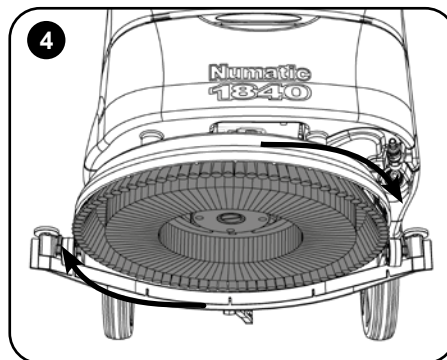
Using the handle position lever, (Fig.1)



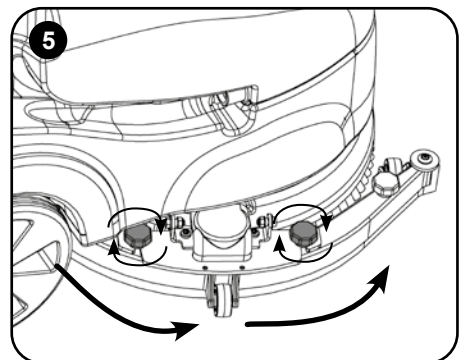
Move the handle into the upright position, (Fig.2)



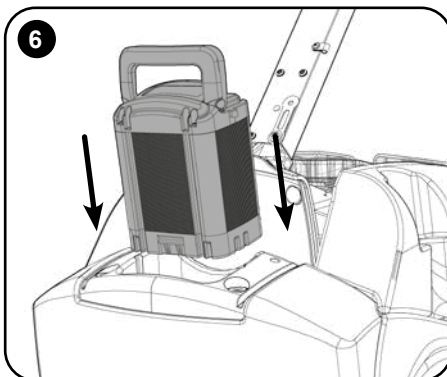
Slide the brush / pad under the brush deck (Fig.3).



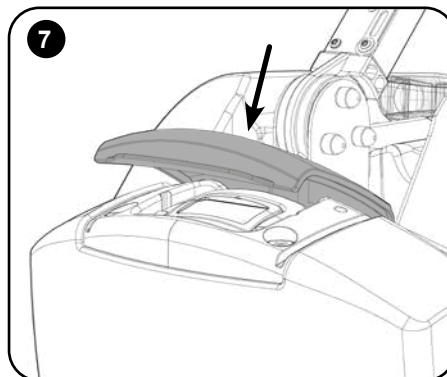
Fit the brush / pad onto the Nulock drive chuck, twist to lock the brush / pad in place (Fig.4).



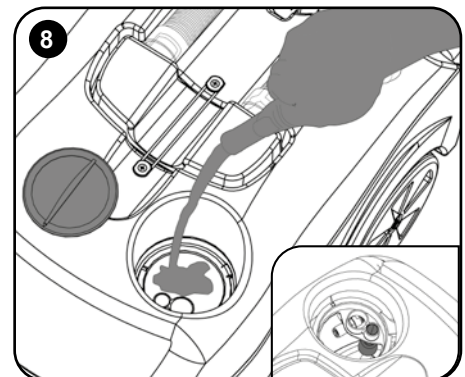
Swing the floor-tool carrier from behind the brush. Using the two locking knobs fitted to the floor-tool, secure the floor-tool to the floor-tool carrier (Fig.5).



Slide the battery into the battery compartment (Fig.6)



Close the flexible lid making sure it is sealed correctly. (Fig.7)



Fill the clear-water tank to Max of 18 litres



**ALWAYS ENSURE THAT THE FLOOR IS PRE-SWEPT AND RELEVANT SAFETY SIGNS ARE DISPLAYED.**



## Machine Set-up Guide



**ALWAYS ENSURE THAT THE MACHINE IS SWITCHED OFF BEFORE MAKING ANY ADJUSTMENTS**



### Fitting the Brush / Pad / Turn on water

400mm Brush / 360mm Pad.

Featuring the Nulock brush system.

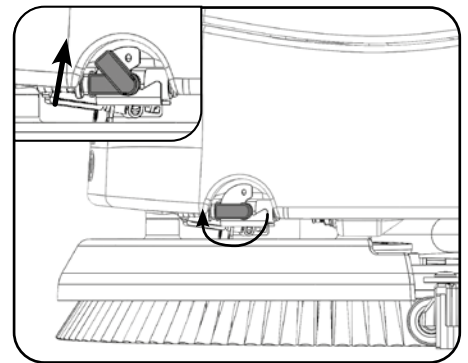
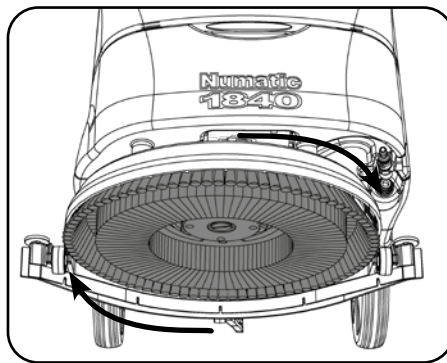
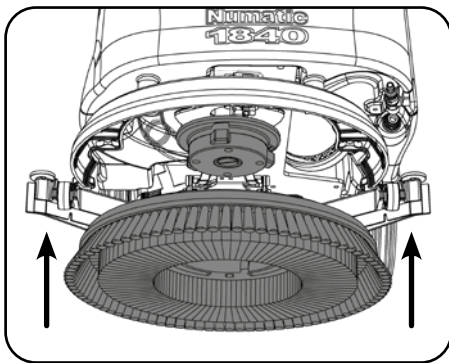
The brush is simply pushed and twisted to lock, making fitting and removal a simple process.

Slide the brush / pad under the brush deck.

Fit the brush / pad onto the Nulock drive chuck, twist to lock the brush / pad in place.

**Safety gloves are recommended for the changing of used brushes.**

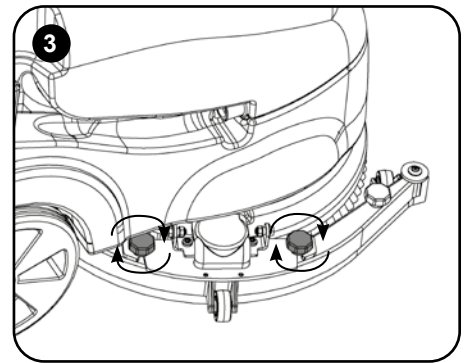
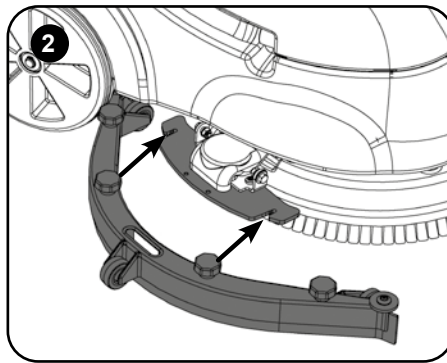
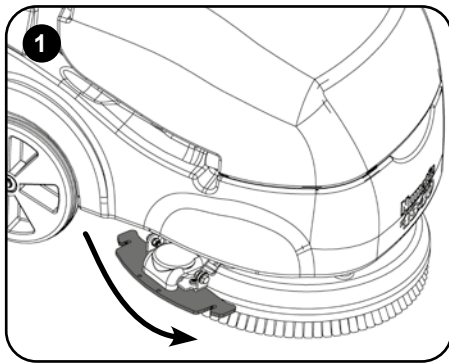
**Turn on the clean water tap.**



### Fitting the Floor-tool

The floor-tool has been designed for quick fitting, allowing easy squeegee blade replacement and a safety knock-off feature if the floor-tool gets snagged, whilst in transit.

**NOTE: It is easier to fit the floor-tool if the weight of the machine is resting on the brush. Ensure the brush is fitted first.**



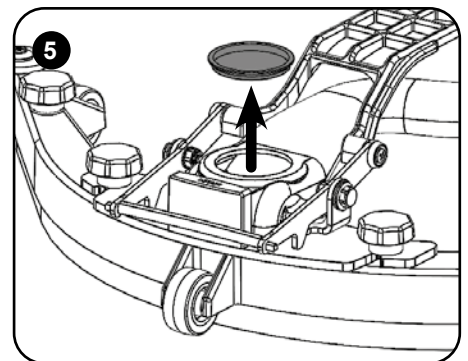
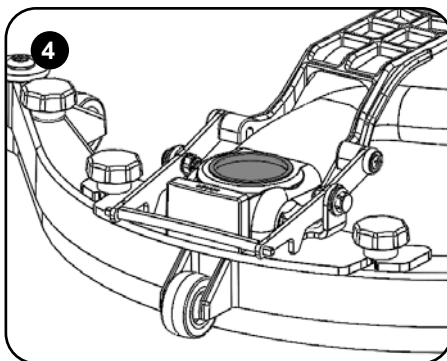
Swing the floor-tool carrier to the side of the machine. (Fig.1).

Secure to the carrier using the two knobs fitted to the floor-tool carrier (Fig.2) - (Fig.3).

Do not over tighten the retaining knobs.

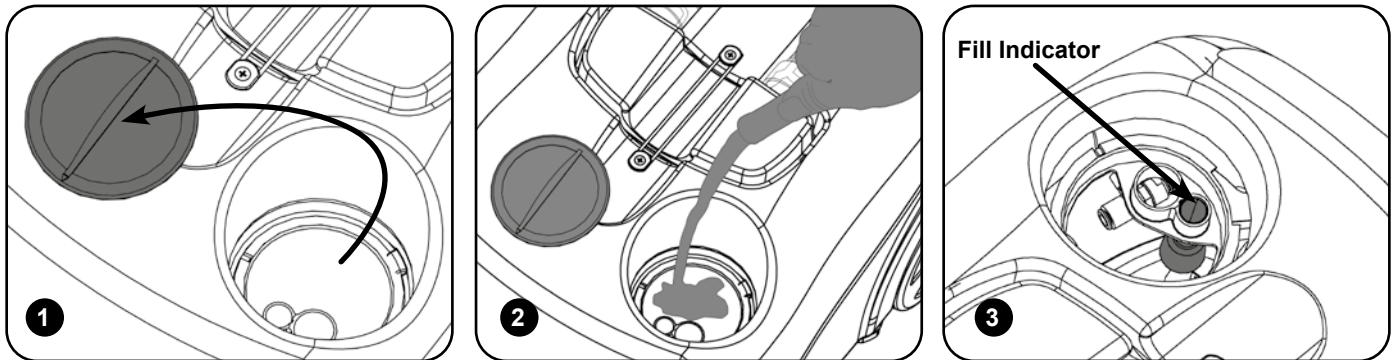
Ensure inspection cap is in place on the fluid pipe. (Fig.4) - (Fig.5)

For fitting the floor-tool blades (See Page 10).



## Filling the Clean Water Tank

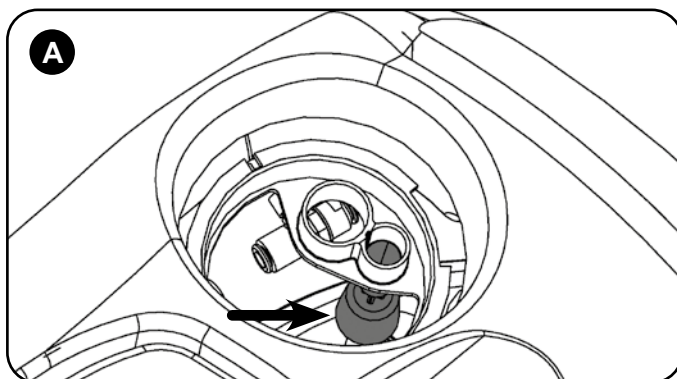
The TTB 1840 is equipped with a large 18 litre clean-water tank allowing large areas to be cleaned in a single fill.



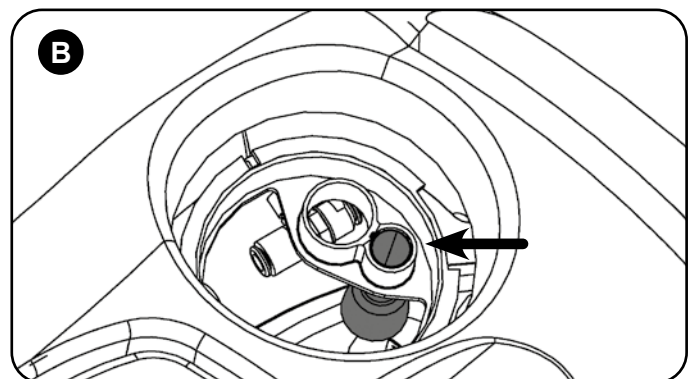
To fill the clean-water tank, remove the filler cap (Fig.1). Fill using a hose or a suitable container (Fig.2). Use the fill indicator (Fig.3).

**NOTE:** Great care must be taken to ensure that contaminants (leaves, hair, dirt, etc.) are not allowed to enter the clean water tank during the filling process. If using a suitable container, ensure it is always clean and free from debris.

## Fill Level Indicator

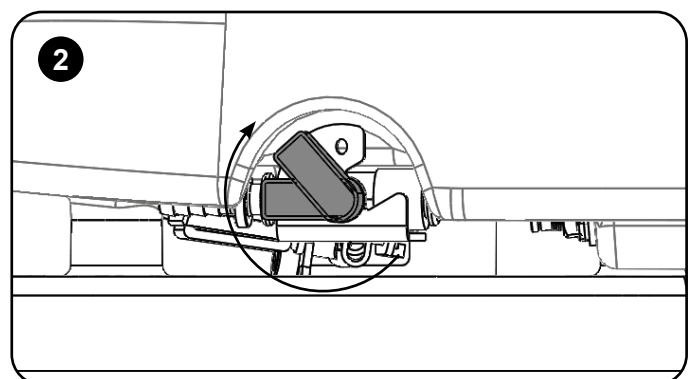
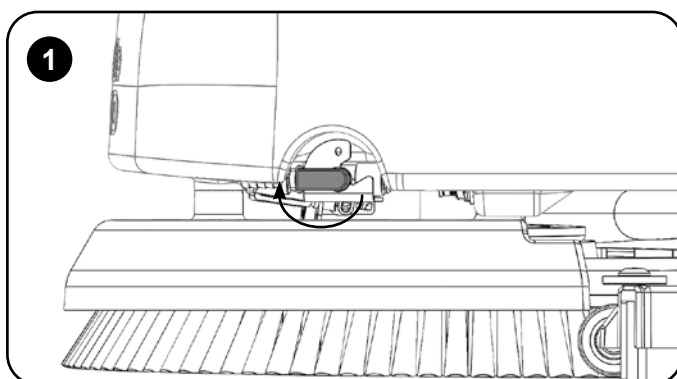


Showing the clean-water tank empty  
(Fig.A)



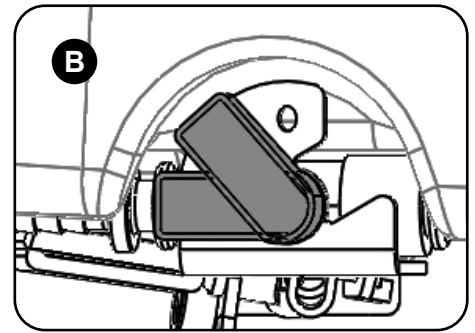
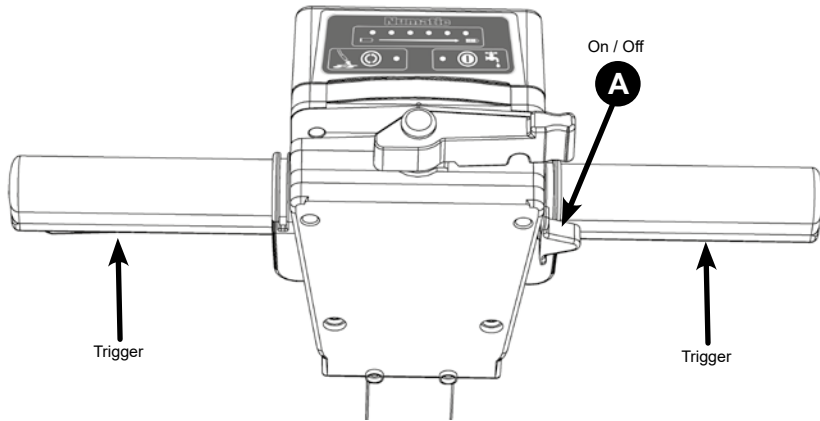
Showing the clean-water tank full  
(Fig.B)

## Water Flow Adjustment

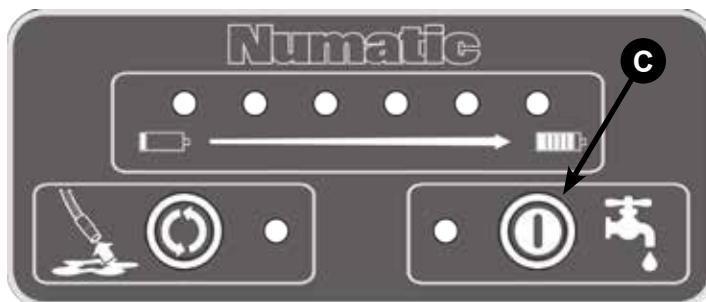


Located on the left of the machine is the On / Off water tap (Fig.1). Set the tap to enable the cleaning solution .(Fig.2).

## Setting the Cleaning Controls



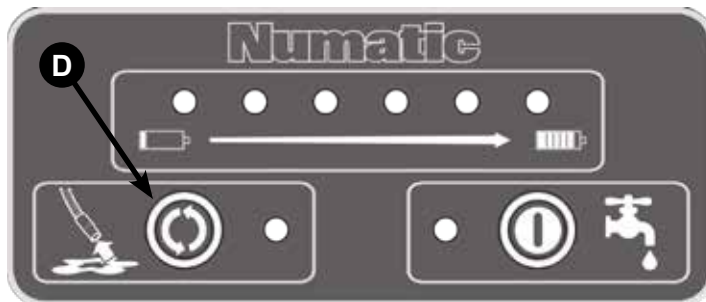
To check the battery level pull one of the Triggers or press button (A).



To start the brush with the configured water and vacuum settings pull either trigger and press the Start switch (A). **Note:** that the start switch (A) must be pressed after the trigger is pulled.

The running state of the vacuum and water can be adjusted with or without the brush running. First pull one of the triggers then press the vacuum and water buttons to set the desired operation. These states will be stored for use when the machine is restarted.

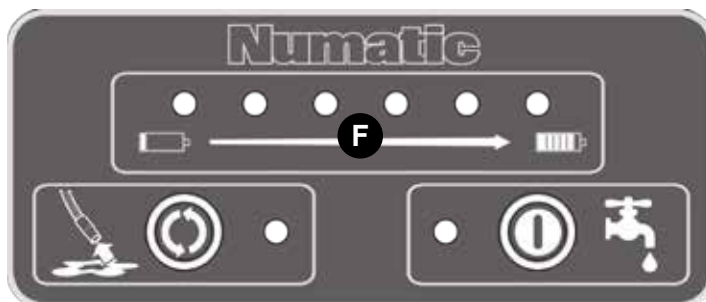
When the Triggers are released the brush motor and the cleaning solution pump will switch off, the vacuum motor will continue for 10 seconds.



To Enable /Disable Vacuum press button (D).

**Note:** that the vacuum can only be stopped by pressing the vacuum button (D) pulling the triggers will have no effect.

The panel if unused, will automatically turn off after 60 seconds.



### System Error Indicators

In the event of a fault the battery lights (F) will flash and the unit will stop operating.

The lights will flash a number of times then pause. The number of flashes can be used to identify the fault.

- 1) Battery Low
- 2) Battery over temperature
- 3) Battery communications error
- 4) Control board over temperature
- 5) System power exceeded
- 6) Vacuum overload
- 7) Brush overload
- 8) Control board failed

Releasing the handle triggers will allow the machine to reset.



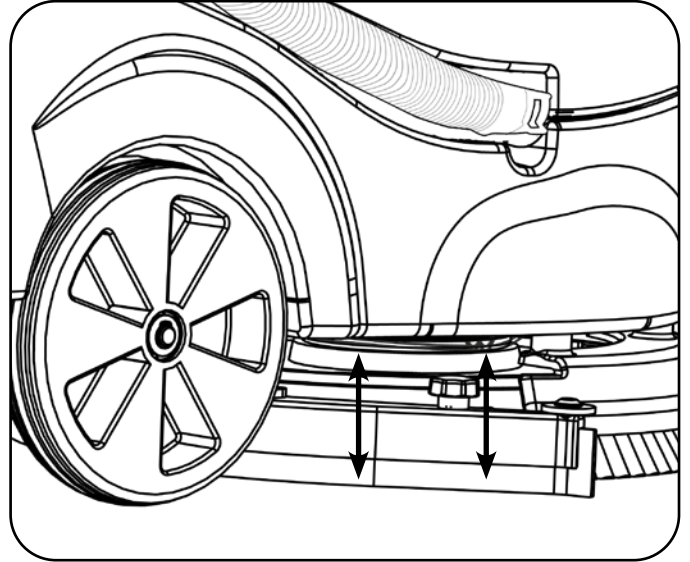
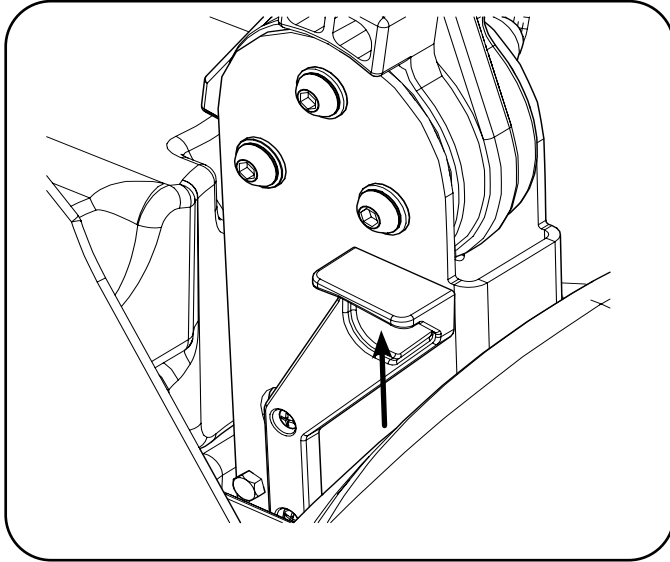
**IMPORTANT**  
If the brush motor keeps overloading consider using a different type of brush.  
Heavy brush load decreases the available battery run time.





## Raising/Lowering the Floor-tool

To raise the floor-tool, ensure the floor-tool carrier is central to the machine. Lift the lever near the base of the handle and lock into position.



### WHEN HANDLING CHEMICALS

Always ensure that chemical manufacturer's safety guidelines are followed.  
Only use chemicals recommended for use in auto scrubber-dryers.



### IMPORTANT

Do not operate machine unless the Operator Manual has been read and fully understood.



## Machine In Use

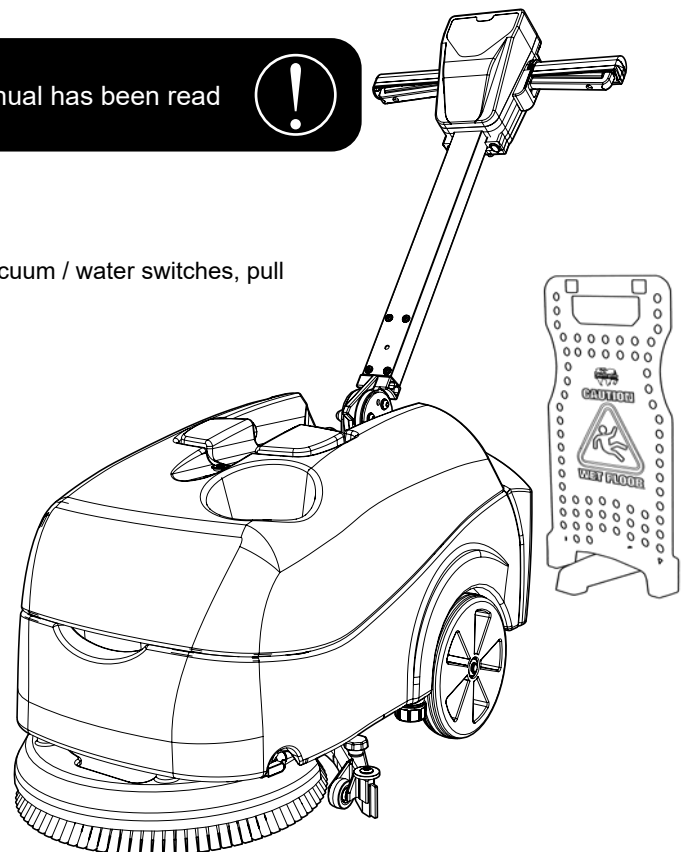
To operate, set water flow rate tap, lower the floor-tool, press the vacuum / water switches, pull trigger(s).

The waste water is then retrieved by the suction floor-tool.  
Overlap each scrubbing path by 10cm to ensure an even clean.  
Do not operate the machine on slopes that exceed (2%), when full.

On heavily soiled floors use a 'double scrub' technique.  
First pre-scrub the floor with the floor-tool in the raised position, allow the chemical time to work then scrub the area a second time with the floor-tool lowered.

If streaking occurs wipe floor-tool blades clean.

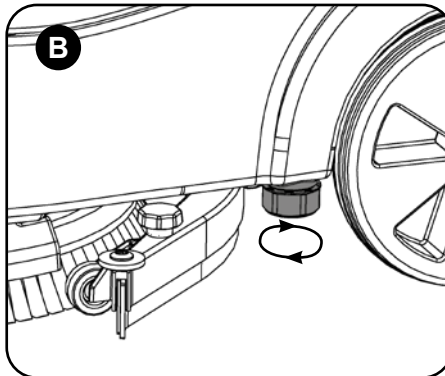
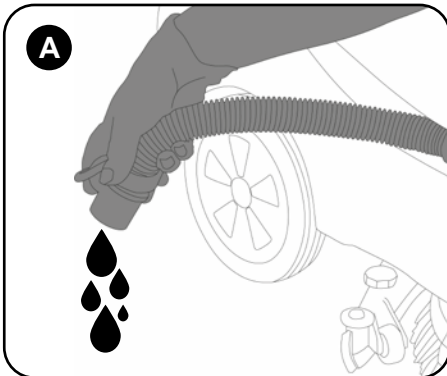
**NOTE: Care must be taken to reduce speed when cornering or when manoeuvring around obstacles**



## Regular Maintenance



**ALWAYS ENSURE THAT THE BATTERY IS REMOVED PRIOR TO ANY MAINTENANCE OPERATION**



### Emptying Top Tank

After use, empty waste-water tank using emptying hose and flush-out with clean water. (fig.A).

### Emptying Bottom Tank

The clean-water tank can be drained via the red cap fitted to the left hand side of the machine. There is a sealing bung beneath the red cap (ensure the sealing bung is clean) The cap should only be done up by hand. (fig.B).

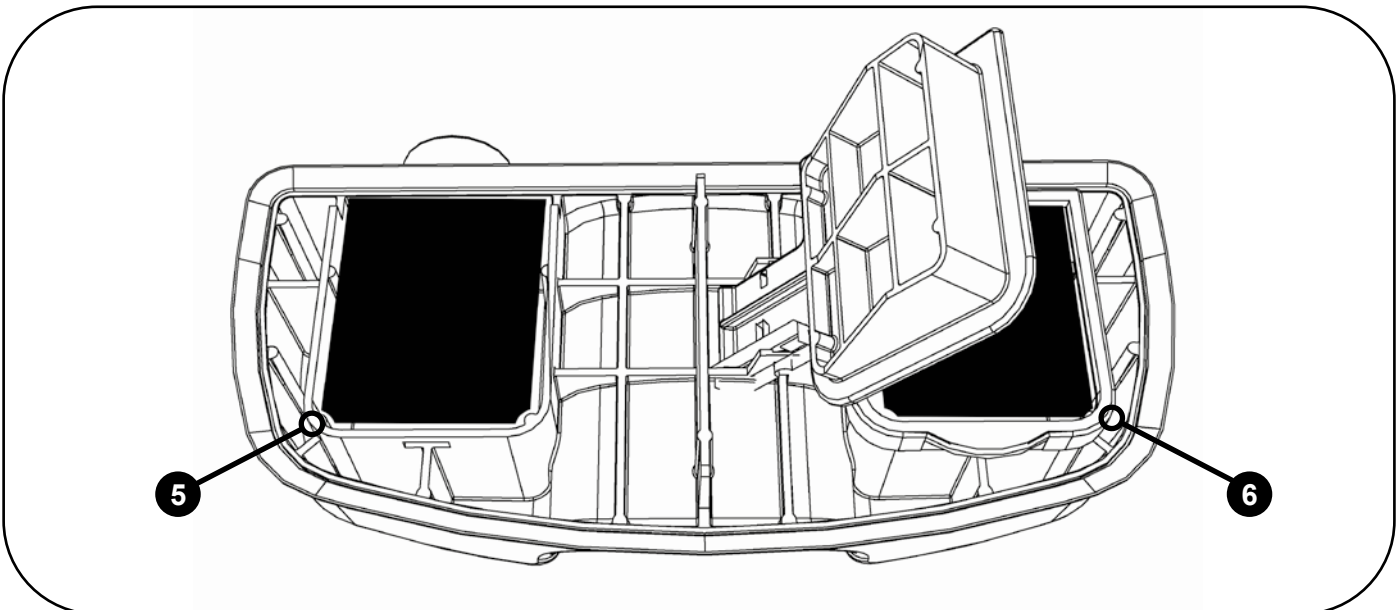
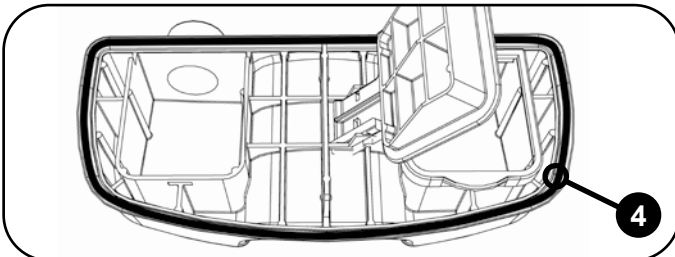
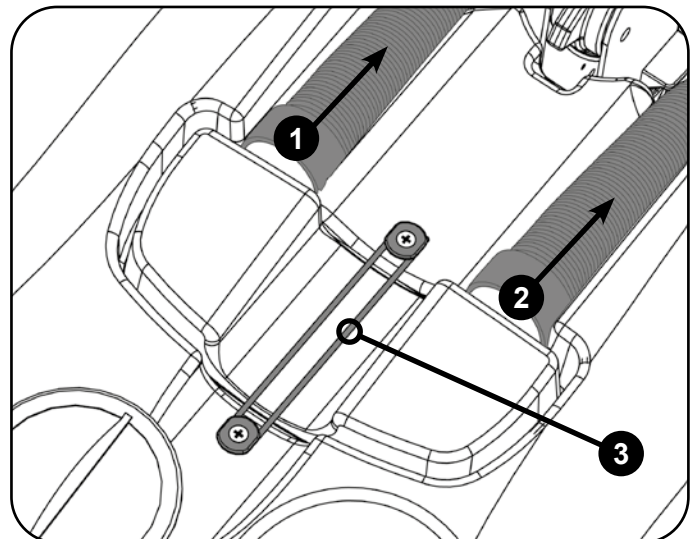
## Separator

Remove the two hoses to disconnect the separator from the machine (1 & 2).

Remove fixing band holding separator in place (3).

Lift off the separator. The separator has a sealing-rubber which should be examined at every clean-down (4).

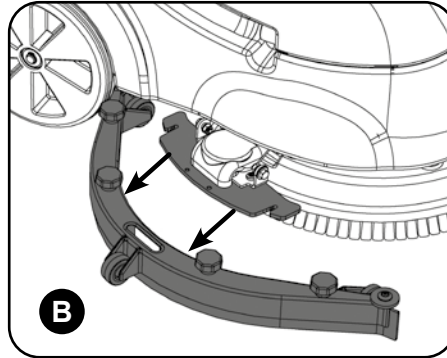
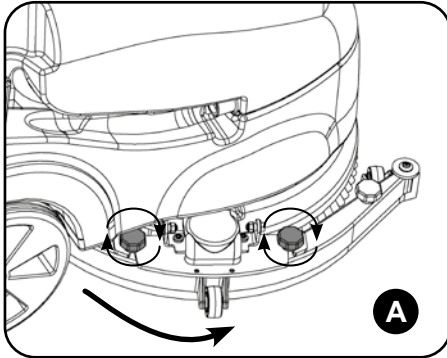
Rinse using clean water.



Remove the filter and basket clipped into the separator and flush with clean water (5 & 6).  
Replace the filter by first fitting the rear of the filter first then clipping in the front to lock in place (5).



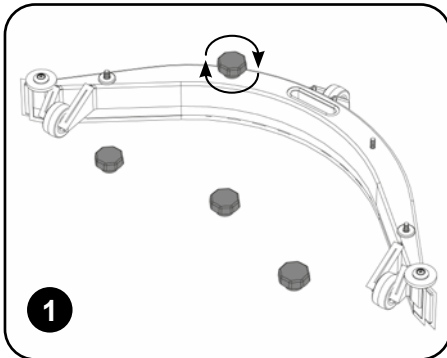
**ALWAYS ENSURE THAT THE BATTERY IS REMOVED PRIOR TO ANY MAINTENANCE OPERATION**



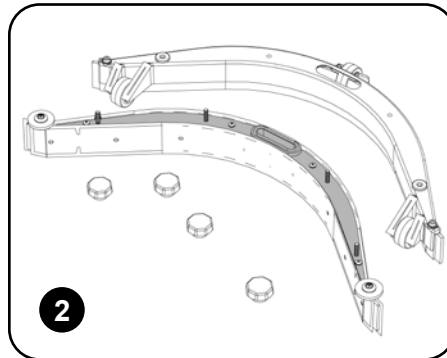
## Changing the Floor-tool Blades

To change the floor-tool, firstly swing the floor-tool clear of the machine. Undo the two floor-tool retaining knobs (Fig.A).

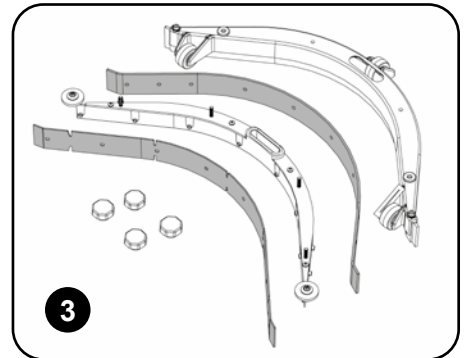
Pull the floor-tool away from the machine (Fig.B).



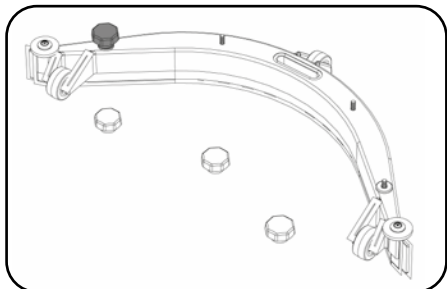
Unscrew the four knobs securing the blade holder (Fig.1).



Remove the blade holder (Fig.2).



Replace the Squeegee blades using (903531) replacement blade set (Fig.3), fitting the blades on to the moulded location lugs.



## Refitting the Floor-tool Blades

Refit the blade holder, retain using the two outer knobs.

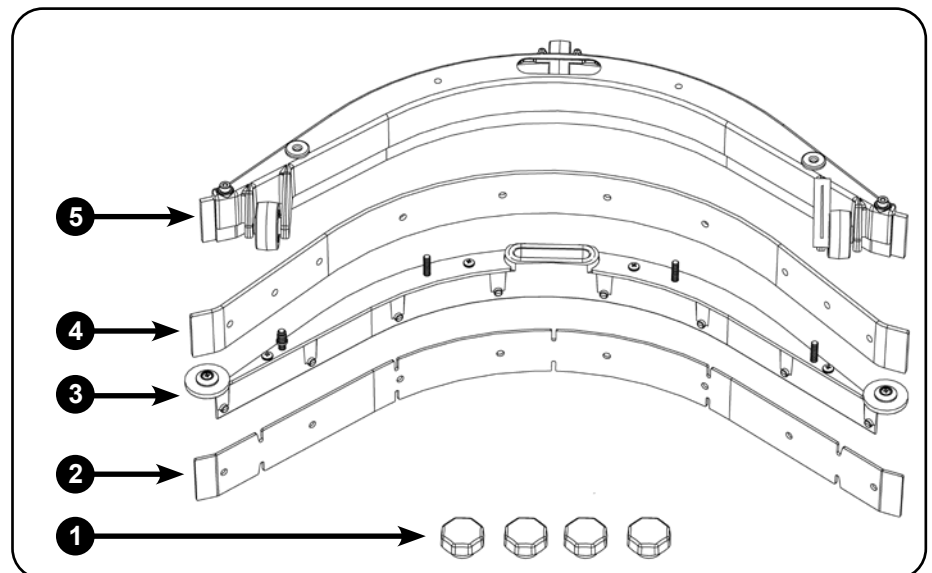
Ensure the slotted blade goes to the front of the floor-tool.

**Note:** The blades are designed to be reversible, thus extending their useful working life.

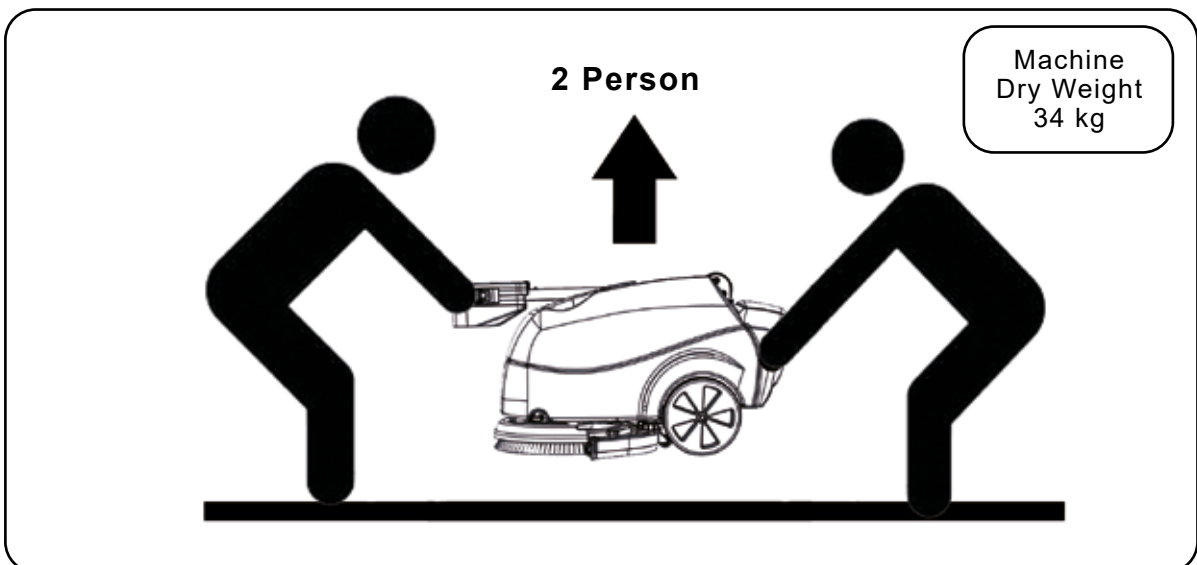
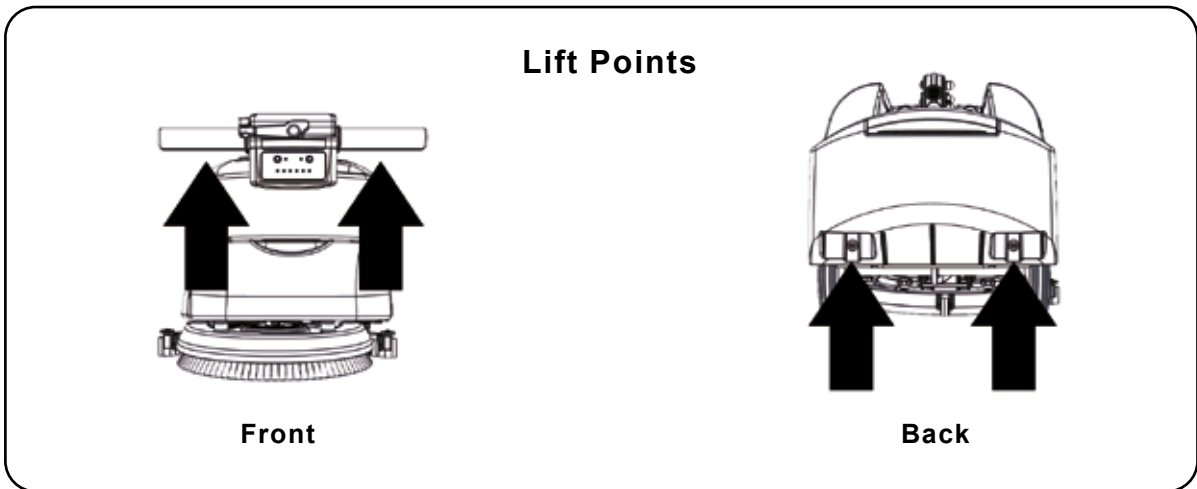
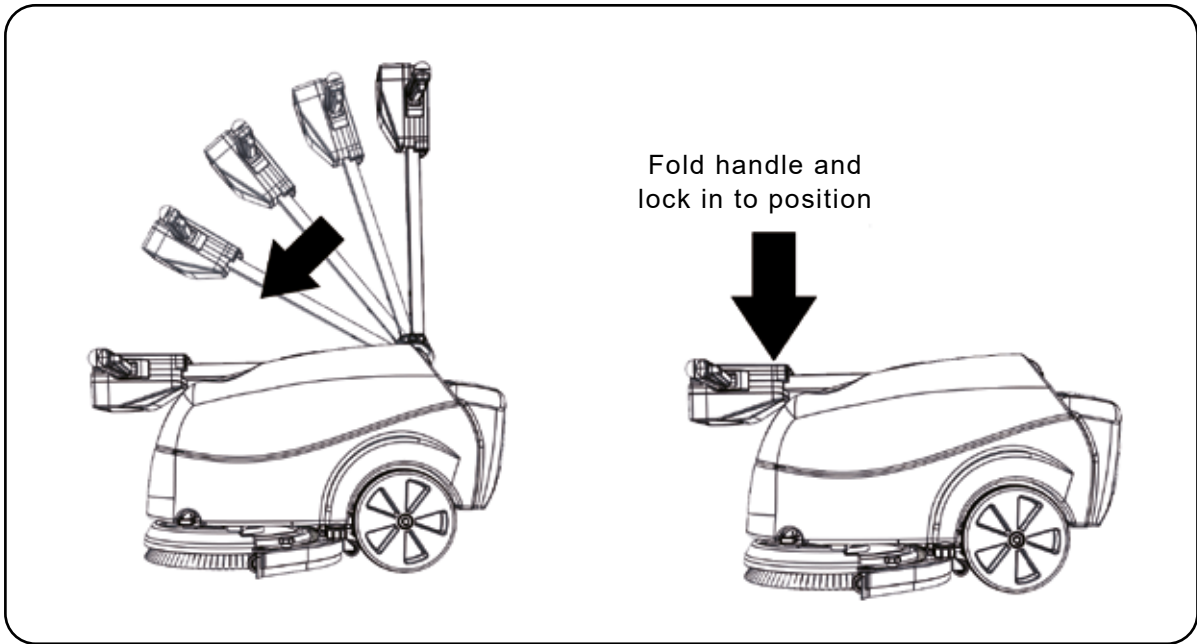
Refit the floor-tool using the two central knobs to the floor-tool.

## Floor-tool Overview

1. Retaining knobs x 4
2. Front blade (slotted)
3. Blade carrier
4. Rear blade
5. Floor-tool main body



## Lifting the Machine



## Specifications

### Model - TTB 1840 36V

Brush Motor	Vac Motor	Brush Sizes	Pad sizes	Net Weight	Gross Weight (Full)
175 W	100 W	400 mm	360 mm	34 kg	52 kg

Protection Class	*Run Time	Water Capacity	Fluid Flow	Sound Pressure (LpA) Uncertainty (KpA)	Cleaning speed
IPX4	*60 Min	18 L	0 - 0.7L/Min	≤ 65 dB(A) 0.5 dB(A)	0 - 4.2 KPH

Brush Speed	Brush Pressure	Pad Pressure	Dimensions	Hand Arm Vibration	*Charge Time
150 RPM	24.61g/cm <sup>2</sup>	21.85g/cm <sup>2</sup>	Width = 520 mm Length = 850 mm Height = 1132 mm	1.7 m/s <sup>2</sup>	*80%=60 Min *100%=120 Min

\*Run and Recharge times may vary dependent on ambient temperature.

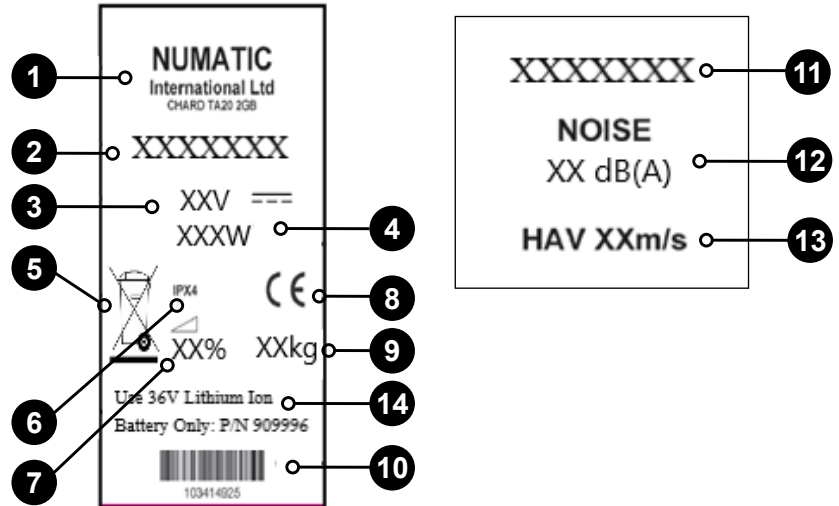
## Trouble Shooting

PROBLEM	CAUSE	SOLUTION
Machine will not operate	Battery not inserted correctly Low battery charge Faulty battery	Insert battery (page 4) Recharge battery (See battery & charger instructions) Replace battery (page 4)
Vacuum not operating	Vacuum not turned on If vacuum light on but no vacuum operation	Turn on vacuum (page 7) Contact service agent
Poor water pick-up	Waste-water tank full Clogged / blocked vacuum hose Loose hose connections Debris basket filter clogged / blocked Separator filter clogged / blocked Poor separator seal Damaged separator seal Damaged / split vacuum hose Damaged floor-tool blades	Empty waste-water tank (page 8) Remove and clean (page 9) Push tight connections (page 9) Remove and clean (page 9) Remove and clean (page 9) Clean and refit (page 9) Renew (contact service dept) Renew (contact service dept) Renew (contact service dept)
No brush / scrub function	No brushes fitted Brush overloaded	Check and fit (page 4/5) Reset machine (page 7)
Little or no water flow	Clean-water tank empty Incorrect water flow setting Tank filter blocked	Fill clean-water tank (page 6) Adjust tap as desired (page 6/7) Remove and clean
Machine just 'stops' while operating	Too much load on the brush system	If cut out engages then the surface is too rough & an alternative machine may be required

**Failure to rectify the problem or in the event of a breakdown contact your Numatic dealer or Numatic Technical helpline +44 (0)1460 269268**

# About the Machine

Rating Label	
1	Company Name & Address
2	Machine Description
3	Voltage/Frequency/Supply
4	Power rating
5	WEEE Logo
6	Ingress Protection Rating
7	Max Gradient
8	CE Mark
9	Weight (ready to use)
10	Machine yr/wk Serial number
11	Machine Description
12	Noise Rating
13	Hand Arm Vibration
14	Use 36V Lithium Ion Battery Only



### WEEE (Waste, Electrical and Electronic Equipment)

Scrubber dryer Accessories and packaging should be sorted for environmentally-friendly recycling. Only for EU countries.

Do not dispose of scrubber-dryer into household waste.

According to the European Directive 2012/19/EU on waste electrical electronic equipment and its incorporation into national law.

Scrubber-dryers that are no longer suitable for use must be separated, collected and sent for recovery in an environmentally-friendly manner.



### PPE (Personal protective equipment) that may be required for certain operations.

Ear Protection	Safety Footwear	Head Protection	Safety Gloves	
Dust / Allergens Protection	Eye Protection	Protective Clothing	Hi-Vis Jacket	Caution Wet Floor Sign

**NOTE: A risk assessment should be conducted to determine which PPE should be worn.**

#### Safety Critical Component:

Charging Leads: H05VV-F x 1.0 mm<sup>2</sup> x 3 Core  
Battery Charger: 100-240 Volt

***In the event of a breakdown contact your Numatic dealer or the Numatic Technical help line +44 (0)1460 269268***



**ORIGINAL INSTRUCTIONS  
READ MANUAL BEFORE USE**

## Information for Scrubber Dryer

COMPONENT	INTERVAL	INSPECT FOR
Brushes	DAILY	Bristle damage, wear, drive collar wear
Squeegee Blade	BEFORE EACH USE	Wear, cracks, splits
Filters	BEFORE EACH USE	Clogging and debris retention
Tanks	AFTER EACH USE	Rinse dirty water tank after use



### WARNING

Read the instruction manual before using the appliance.

As with all electrical equipment care and attention must be exercised at all times during its use, in addition to ensuring that routine and preventative maintenance is carried out periodically in order to ensure its safe operation.

Failure to carry out maintenance as necessary, including the replacement of parts to the correct standard could render this equipment unsafe and the manufacturer can accept no responsibility or liability in this respect. When ordering spare parts always quote the Model Number / Serial Number specified on the Rating Plate. Warning do not use on slopes exceeding 2%.

This appliance is not intended for use by persons (including children) with reduced physical, sensory or mental capabilities, or lack of experience and knowledge.

Children should be supervised to ensure that they do not play with the appliance.

When detergents or other liquids are used, read the manufacturer's instructions.

Only use brushes provided with the appliance or those specified in the instruction manual.

The use of other brushes may impair safety.

A full range of brushes and accessories are available for this product.

Only use brushes or pads which are suitable for the correct operation of the machine for the specific task being performed.

It is essential that this equipment is correctly assembled and operated in accordance with current safety regulations.

When using the equipment always ensure that all necessary precautions are taken to guarantee the safety of the operator and any other persons who may be affected.

Wear non slip footwear when scrubbing. Use a respiratory mask in dusty environments.

When cleaning, servicing or maintaining the machine, replacing parts or converting to another function the power source shall be removed.

Battery operated machines shall be disconnected by removing the battery.

Machines left unattended shall be secured against unintentional movement.

When detergents or other liquids are used, read the manufacturer's instructions.

Operators shall be adequately instructed as to the correct use of the machine.

For battery and charger details please refer to your battery and charger original instructions.



### CAUTION

This machine is not suitable for picking-up hazardous dust.

This machine is not to be stored outdoors in wet conditions.

This machine is for indoor use only.

**NOTES: This machine is also suitable for commercial use, for example in hotels, schools, hospitals, factories, shops and offices for other than normal housekeeping purposes.**

**This product meets the requirements of IEC 60335-2-72**



### DO

- Ensure only competent persons unpack/assemble the machine.
- Keep your machine clean.
- Keep your brushes in good condition.
- Replace any worn or damaged parts immediately.
- Regularly examine the power cord for damage, such as cracking or ageing. If damage is found, replace the cord before further use.
- Only replace the power cord with the correct Numatic approved replacement parts.
- Ensure that the work area is clear of obstructions and / or people.
- Ensure that the working area is well illuminated.
- Pre-sweep the area to be cleaned.



### DON'T

- Use steam cleaners or pressure washers to clean the machine or use in the rain.
- Allow any inexperienced repairs. Call the experts.
- Leave the brush pad on the machine when not in use.
- Allow the machine to be used by inexperienced or unauthorised operators or without appropriate training.
- Use the machine without the solution tanks properly positioned on the machine, as shown in the instructions.
- Expect the machine to provide trouble-free, reliable operation unless maintained correctly.
- Lift or pull the machine by any of the operating triggers, use the main handle.
- Remove the handle from the machine except for service and repair.
- Attempt machine maintenance or lifting unless the battery has been removed.

# TwinTec Maintenance

## Daily

Keep the machine clean.  
Ensure brushes/ pads/ squeegee/ filters are in good condition.  
Check for any worn or damaged parts and replace immediately.  
Drain and rinse dirty water tank after every use.

## Weekly – as daily and –

Check brush or pad and skirt and rinse.  
Check floor-tool blades for wear and wipe clean.  
Clean separator assembly including filter and check condition of seal.  
Flush out system with clean water and clean filters.  
Do not steam clean or pressure wash.

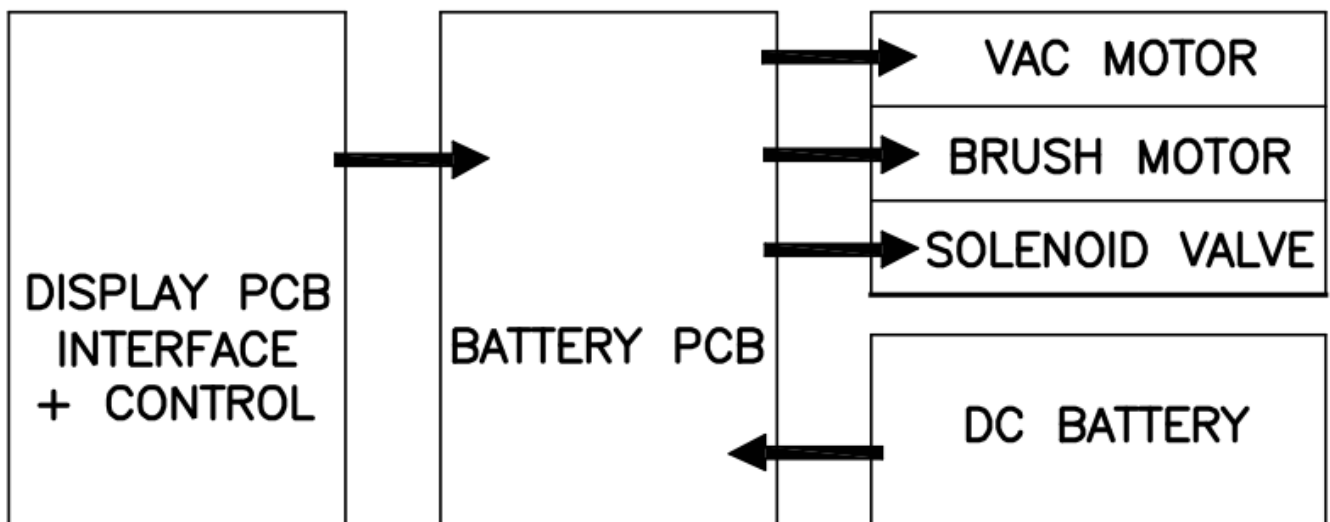
## Batteries

Always re-charge the batteries after use.

## Spare Parts

Part No.	SPARES & ACCESSORIES	Part No.	SPARES & ACCESSORIES
909996	BATTERY.36.8700	903531	SERILOR REPLACEMENT BLADE SET
911334	LITHIUM BATTERY CHARGER	903532	SERILOR COMPLETE SQUEEGEE ASSEMBLY
912365	CHARGER CABLE (UK)	303985	FILLER CAP ASSEMBLY
912361	CHARGER CABLE (EURO)	903544	FILLER CAP LID
912364	CHARGER CABLE(SWISS)	237232	SEPARATOR FILTER
912363	CHARGER CABLE(SOUTH AFRICAN)	237411	GRIT BASKET
912360	CHARGER CABLE(AUSTRALIAN)	213054	SUCTION HOSE
912362	CHARGER CABLE(NORTH AMERICAN)	213055	VAC HOSE
208455	M5 KNOB(BLACK)	303997	DUMP HOSE ASSEMBLY
901880	PROTECTION PLUG	208471	CONSTANT TENSION CLIP(DUMP HOSE)
303961	TANK FILTER ASSEMBLY	903325	32MM HOSE CAP(RED)
		905628	1840 SERVICE BUNG SEALING KIT

## Schematic Diagram





# EU Declaration of Conformity



## EU DECLARATION OF CONFORMITY

We hereby declare under our sole responsibility that the following equipment fulfils all the relevant provisions of the following EU Directives

---

Machinery Directive 2006/42/EC  
EMC Directive 2014/30/EU  
RoHS Directive 2011/65/EU

---

Machine Description: Scrubber Dryer  
Machine Type: TTB1840, HTB1840 Series.

---

Relevant standards upon which conformity is declared include:

EN 60335-1: 2012 + A11:2014  
EN 60335-2-72: 2012  
EN 55014-1: 2006 + A1:2009 + A2:2011  
EN 55014-2: 1997 +A1:2001 + A2:2008  
EN 62233: 2008

---

A technical construction file for this equipment is retained at the manufacturer's address under the authorisation of the following signatory:

Name: Allyn Boyes Position: Development Manager

Signed

Date

3/10/17



Numatic International Ltd  
Chard Somerset  
TA20 2GB  
www.numatic.co.uk

# GB

# Numatic International Warranty

Numatic International Limited warrant to the original purchaser that its products are free of defects in both material or workmanship for the period shown below:-

Homecare and Cleancare Vacuum cleaners.....	2 Years
Rotary Floor Machines.....	2 Years
Twintec Auto Scrubber Dryer.....	1 Year
Vario Ride-On Scrubber Dryer.....	1 Year / 1500 hours
Mopping, Compacts, Combi and Servocare Products.....	1 Year
Individual Accessories and Spare Parts.....	6 Months

Note: This warranty expressly excludes consumable parts such as carbon brushes, floor brushes, mops, batteries etc, that are considered replaceable from time to time during the normal working life of the machine.

- A. The warranty period commences from the date the goods are purchased.
- B. All warranty claims must be processed through the Dealer from whom the equipment was purchased. The Dealer will co-operate with the purchaser throughout the warranty claims procedure and will arrange any necessary repairs using genuine Numatic parts.
- C. If the original Dealer is no longer able to fulfil his obligations please contact Numatic International Limited with full details of the claim and proof of purchase so that this may be processed without delay.
- D. Any warranty claim can only relate to the specific part that is proven to be at fault and for which a replacement will be supplied but cannot be extended to constitute a claim against the complete machine.
- E. Numatic International will supply the Dealer with any warranty parts required, subject to the claim being validated, after return of the faulty items in accordance with Numatic International Limited's General Conditions of Sale.
- F. Claims will not be accepted if they are the result of fair wear and tear, misuse or abuse of any kind.
- G. No replacement will be given unless the appropriate evidence of the validity of the claim has been provided to the satisfaction of Numatic International Limited.
- H. Numatic International Limited reserve the right to charge for any unnecessary work carried out as a result of an invalid claim.
- I. No variation to this warranty may be made or implied by any member of Numatic International Limited or its Dealers unless such variation is in writing and authorised by the Company



Numatic International Limited. Chard, Somerset, TA20 2GB  
Telephone: 01460 68600 Fax: 01460 68458

© Numatic International Limited



**This Machine Has Been Packed  
With The Following**

Brush / Pad

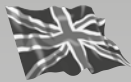
Floor-tool

NuTab

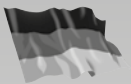
Battery & Battery Charger

Signed

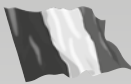
Distributed by:



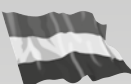
Numatic International Limited.  
Chard, Somerset TA20 2GB ENGLAND  
Tel.: 01460 68600 [www.numatic.co.uk](http://www.numatic.co.uk)



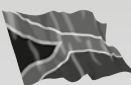
Numatic International GmbH. Fränkische Straße 15–19  
D-30455 Hannover, DEUTSCHLAND  
Tel.: 05 11 98 42 16 0 [www.numatic.de](http://www.numatic.de)



Numatic International SAS. 13 / 17 rue du Valengelier  
77500 CHELLES, FRANCE  
Tel: 01 64 72 61 61 [www.numatic.fr](http://www.numatic.fr)



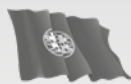
BeNeLux Distribution, Numatic International BV  
Postbus 101, 2400 AC Alphen aan den Rijn, NEDERLAND  
Tel: 0172 467 999 [www.numatic.nl](http://www.numatic.nl)



Numatic International (Pty.) Ltd.  
16th & Pharmaceutical Roads, Midrand, Gauteng, SOUTH AFRICA 1685  
Tel: 0861 686 284 [www.numatic.co.za](http://www.numatic.co.za)



Numatic International Schweiz AG.  
Sihlbruggstrasse 3A, 6340 Baar. SCHWEIZ  
Tel: 0041 (0) 41 76 80 76 - 0 [www.numatic.ch](http://www.numatic.ch)



Numatic International ULDA. Rua da Boa Viagem, n.º 177  
4470-600 Moreira, Maia PORTUGAL  
Tel: +351 220 047 700 [www.numatic.pt](http://www.numatic.pt)



Numatic International SLU. C/ La Forja, 41, 08840 Viladecans  
(Barcelona), Spain  
Tel: +34 93 647 22 22 [www.numatic.es](http://www.numatic.es)

This Product has been comprehensively inspected and checked during every stage of its manufacture.  
including an in-depth electrical safety and functionality test.

Specification subject to change without prior notice  
[www.numatic.co.uk](http://www.numatic.co.uk) © Numatic International Limited

912765 06/21 (A04)