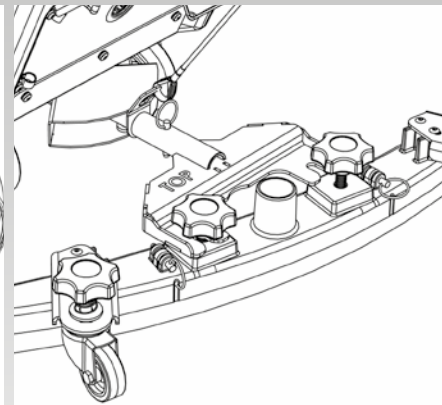
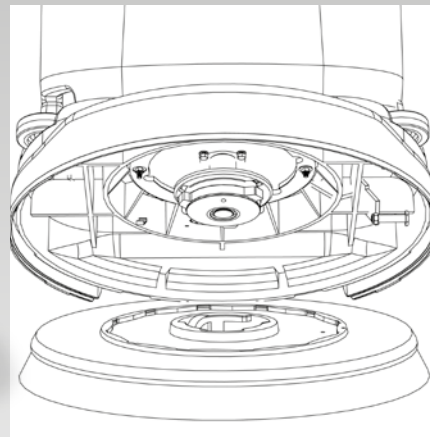




# TGB 516 24 volt SCRUBBER DRYER



## Owner Instructions

Warning! Read instructions before using the machine



# SCRUBBER DRYER

# TGB 516

Index

|   |            |
|---|------------|
| <b>Machine Overview</b> .....   | Pages 2    |
| <b>Control Panel Overview</b> .....                                   | Page 3     |
| <b>Quick Set up Guide</b> .....                                       | Page 4     |
| <b>Machine Set up Guide</b> .....                                     | Page 5     |
| Fitting the Brush / Pad .....   | Page 5     |
| Fitting the Floor Tool .....  | Page 5     |
| Filling the Clean Water Tank .....                                    | Page 6     |
| Fill Level Indicator .....  | Page 6     |
| Water Flow Adjustment .....   | Page 6     |
| <b>Setting the Cleaning Controls</b> .....                            | Page 7     |
| Raising/Lowering Floor Tool .....                                     | Page 8     |
| Emptying Top/Bottom Tanks .....                                       | Page 8     |
| Machine in Use .....  | Page 8     |
| <b>Regular Maintenance</b> .....                                      | Page 9     |
| Changing Floor tool Blades .....                                      | Page 10    |
| Removing Battery .....  | Page 11    |
| Removing Battery Fuse .....   | Page 11    |
| Battery Charging .....  | Page 11    |
| <b>Specifications</b> .....   | Page 12    |
| <b>Trouble Shooting</b> .....   | Page 12    |
| <b>Rating Label / Personal Protective Equipment / Recycling</b> ..... | Page 13    |
| <b>Safety Precautions</b> .....                                       | Page 14-15 |
| Recommended Spare Parts .....   | Page 16    |
| Schematic Diagram .....   | Page 16    |
| EU Declaration Document .....   | Page 17    |
| Warranty .....  | Page 18    |
| Company Address .....   | Page 19    |

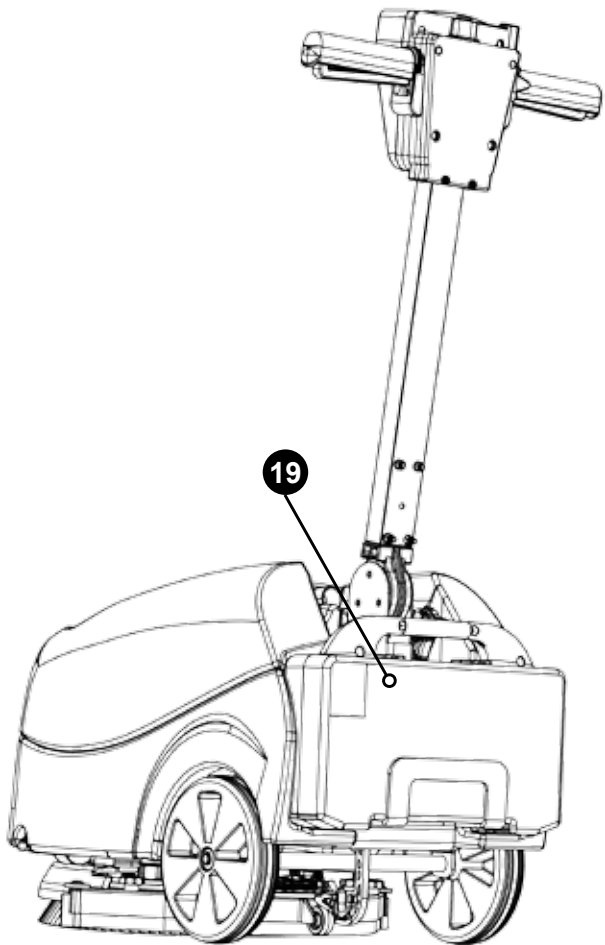
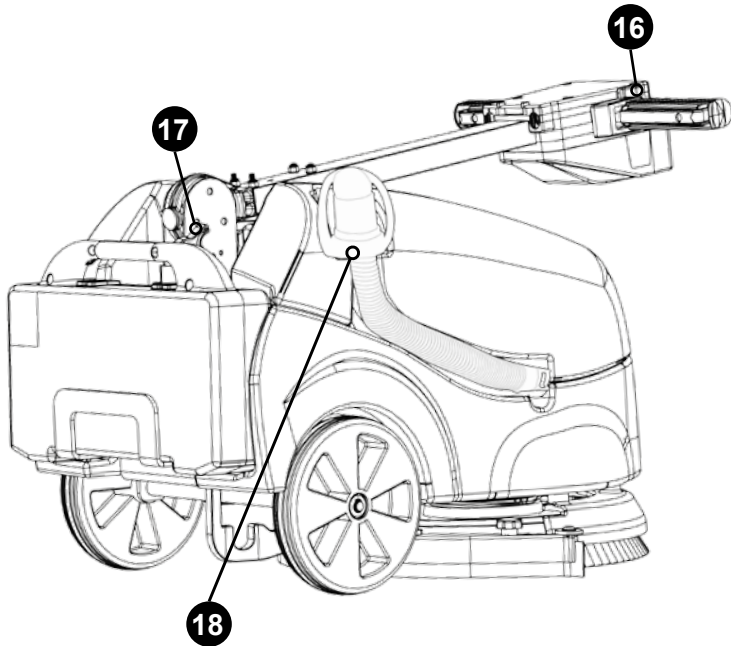
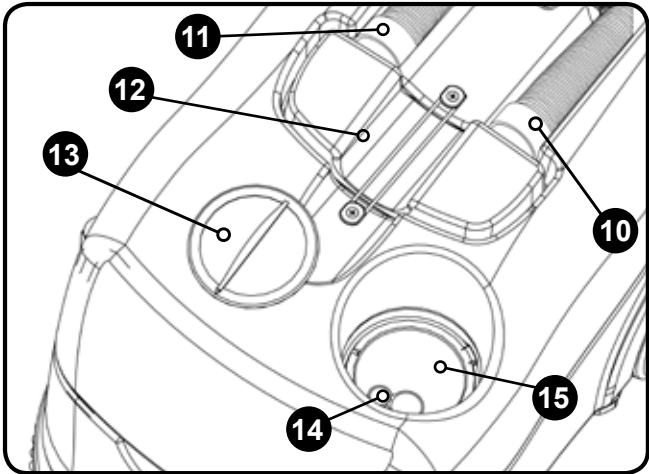
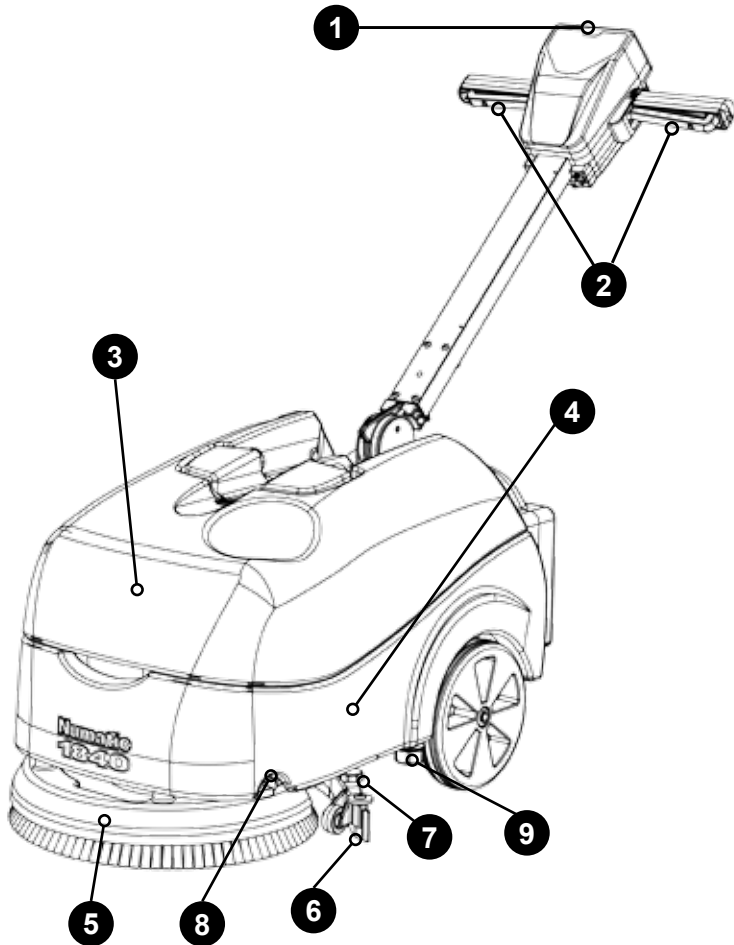
## PLEASE READ BEFORE COMMENCING OPERATION

After the removal of all the packaging,  
carefully open and check the contents

- Owner Manual
- Battery Charger & Lead
- Battery Pack • Scrub Brush
- Squeegee Assembly

|    |                                       |
|----|---------------------------------------|
| 1  | Operator control panel ( see page 3 ) |
| 2  | Triggers                              |
| 3  | Waste-water tank                      |
| 4  | Clean-water tank                      |
| 5  | Brush deck                            |
| 6  | Squeegee blades                       |
| 7  | Floor-tool retaining knobs            |
| 8  | Clean-water On / Off tap              |
| 9  | Clean-water emptying cap              |
| 10 | Floor-tool vacuum hose                |
| 11 | Vacuum hose                           |
| 12 | Separator                             |
| 13 | Clean-water filler cap                |
| 14 | Clean-water level indicator           |
| 15 | Clean-water tank fill point           |
| 16 | On / Off switch                       |
| 17 | Battery connector                     |
| 18 | Top tank (waste water) drainage hose  |
| 19 | Battery                               |

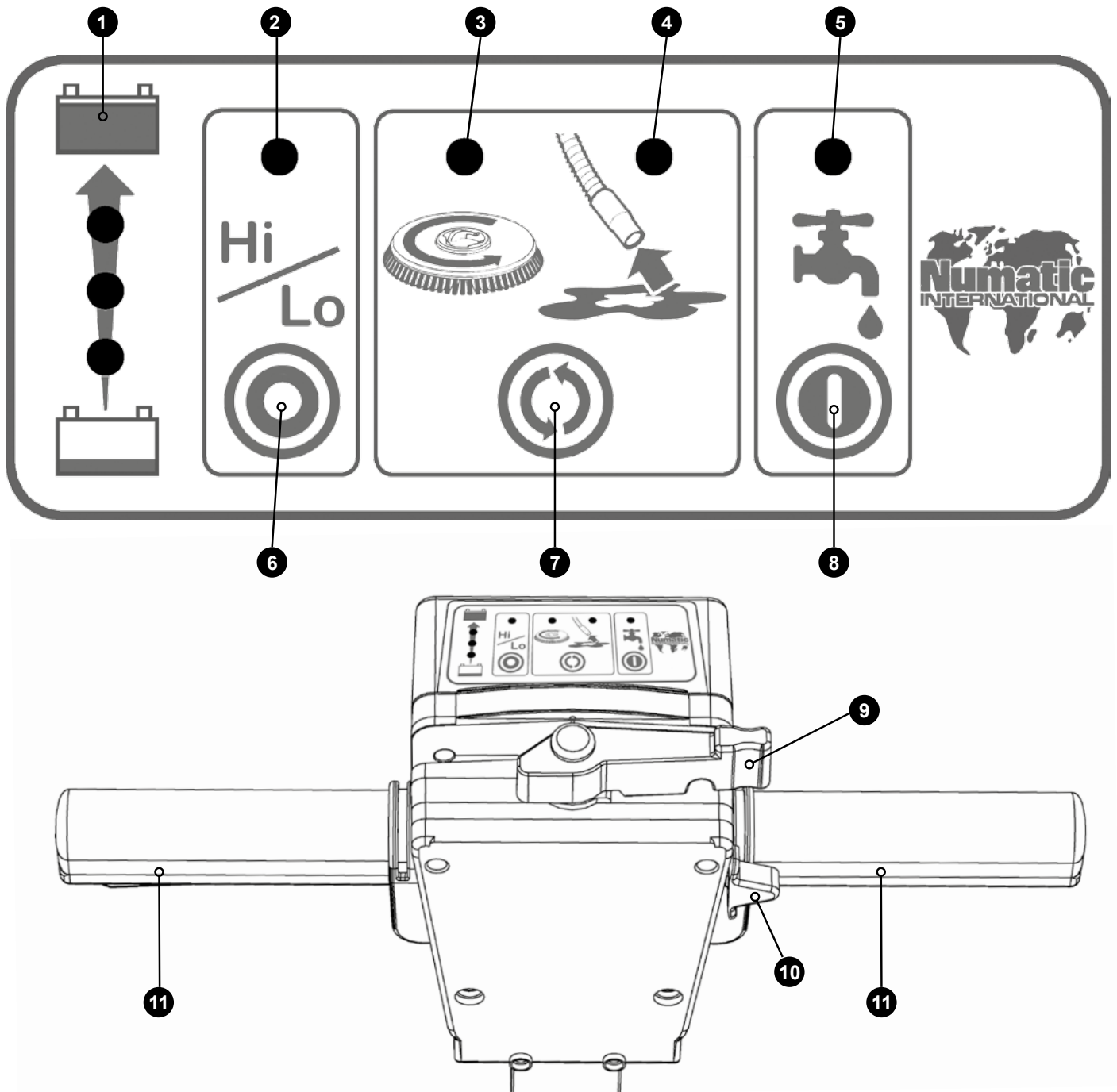
Machine Overview



# SCRUBBER DRYER

## TTB 1840G

### Control Panel Overview



|    |                                  |
|----|----------------------------------|
| 1  | Battery Charge Level Meter       |
| 2  | Hi / Lo Indicator                |
| 3  | Brush Operation / Load Indicator |
| 4  | Vacuum Indicator                 |
| 5  | Water Flow Indicator             |
| 6  | Hi / Lo Button                   |
| 7  | Mode Select Button               |
| 8  | Water Flow On / Off Button       |
| 9  | Handle Position Lever            |
| 10 | Start Switch                     |
| 11 | Triggers                         |

*In the event of a breakdown contact  
your Numatic dealer or the  
Numatic Technical  
help line +44 (0)1460 269268*

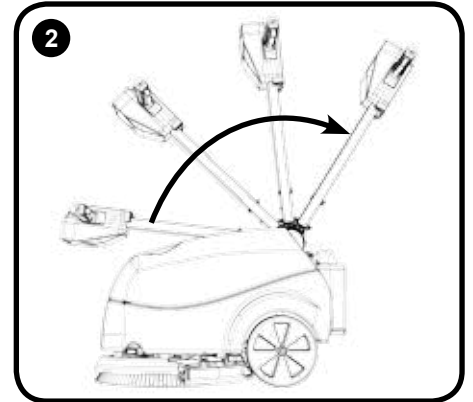
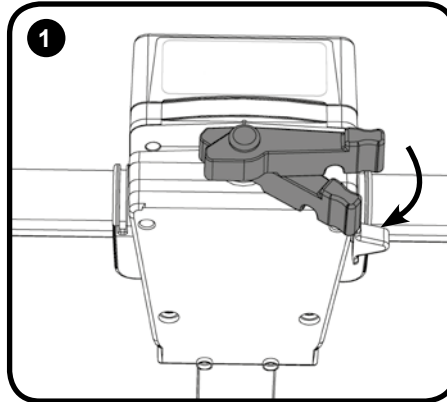


**PLEASE READ BEFORE COMMENCING ANY OPERATION AFTER THE REMOVAL OF ALL THE PACKAGING, CAREFULLY OPEN AND CHECK THE CONTENTS.**

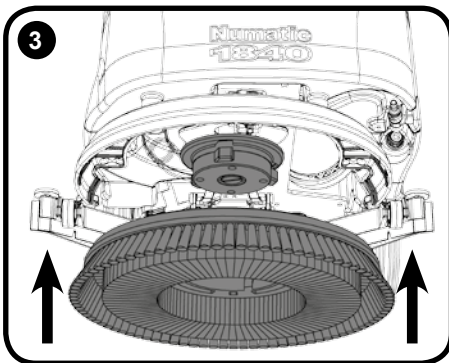


## TTB1840G CONTENTS

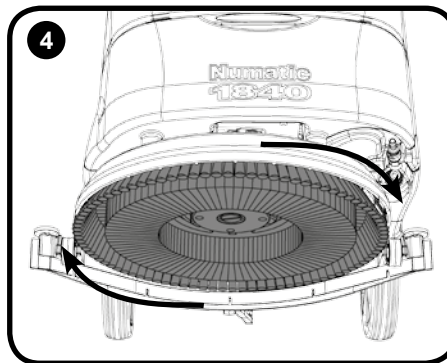
- Owner Manual
- Battery Charger & Lead
- Battery Pack • Scrub Brush
- Squeegee Assembly



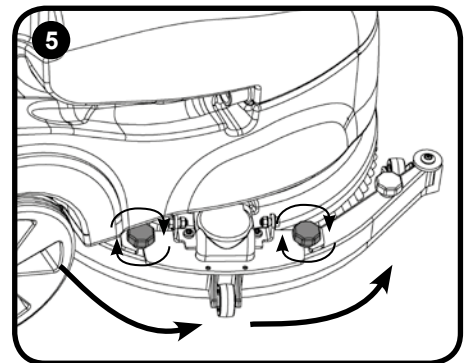
Using the handle position lever, (Fig.1) move the handle into the upright position, (Fig.2)



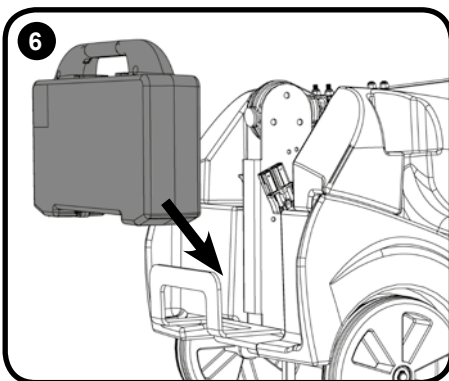
Slide the brush / pad under the brush deck (Fig.3).



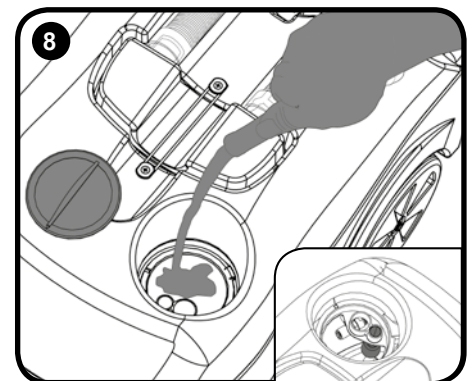
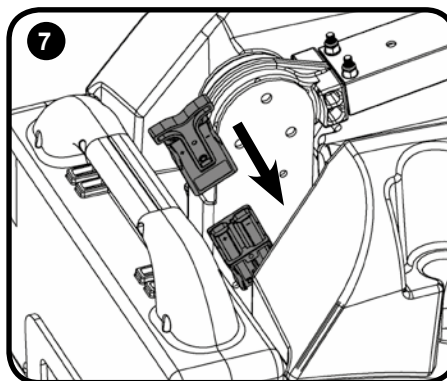
Fit the brush / pad onto the Nulock drive chuck, twist to lock the brush / pad in place (Fig.4).



Swing the floor-tool carrier from behind the brush. Using the two locking knobs fitted to the floor-tool, secure to the floor-tool to the floor-tool carrier (Fig.5).



Fit the battery to the machine (Fig.6) and plug in the power supply (Fig.7). Ensure the battery has been charged before use.



Fill the clean-water to a Max of 18 litres

## Machine Set-up Guide



**ALWAYS ENSURE THAT THE MACHINE IS SWITCHED OFF  
BEFORE MAKING ANY ADJUSTMENTS**



### Fitting the Brush / Pad / Turn on water

400mm Brush / 360mm Pad.

Featuring the Nulock brush system.

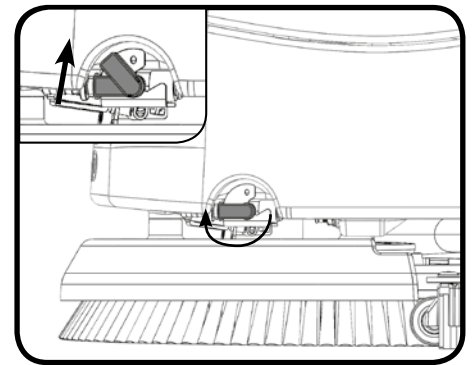
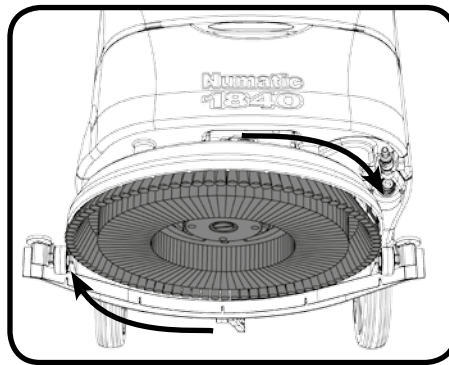
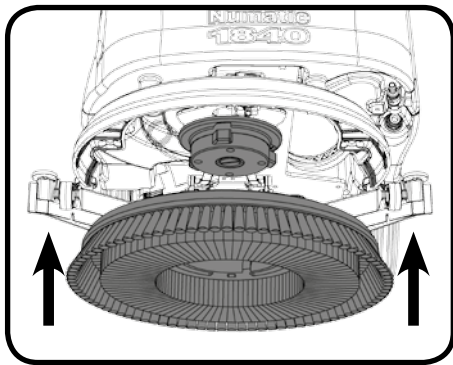
The brush is simply pushed and twisted to lock, making fitting and removal a simple process.

Slide the brush / pad under the brush deck.

Fit the brush / pad onto the Nulock drive chuck, twist to lock the brush / pad in place.

**Safety gloves are recommended for the changing of used brushes.**

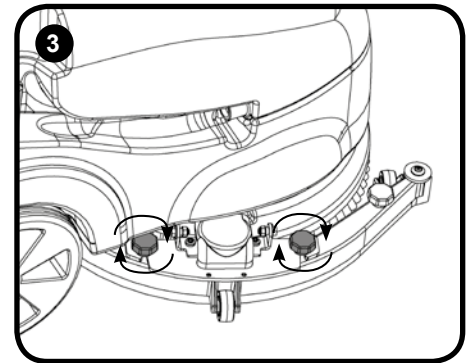
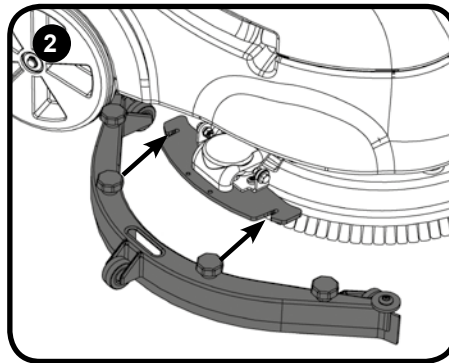
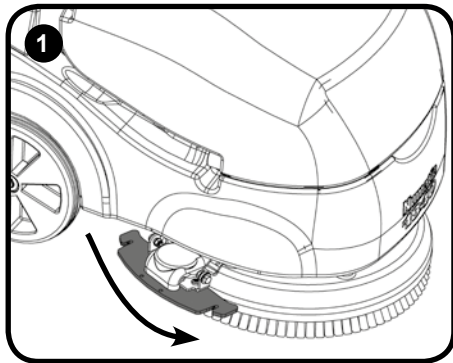
**Turn on the clean water tap.**



### Fitting the Floor Tool

The floor tool has been designed for quick fitting, allowing easy squeegee blade replacement and a safety knock-off feature if the floor tool gets snagged, whilst in transit.

**NOTE: It is easier to fit the floor tool if the weight of the machine is resting on the brush. Ensure the brush is fitted first.**



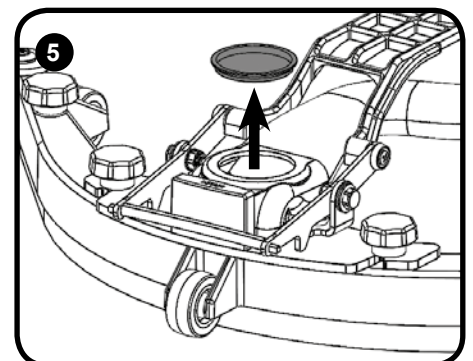
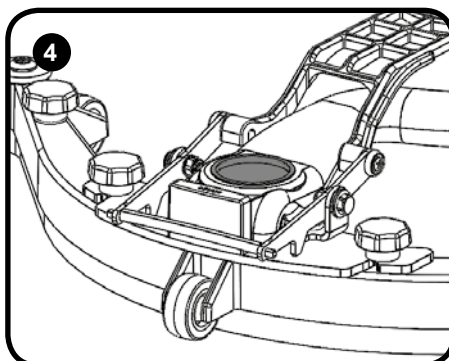
Swing the floor-tool carrier to the side of the machine. (Fig.1).

Secure to the carrier using the two knobs fitted to the floor-tool carrier (Fig.2) - (Fig.3).

Do not over tighten the retaining knobs.

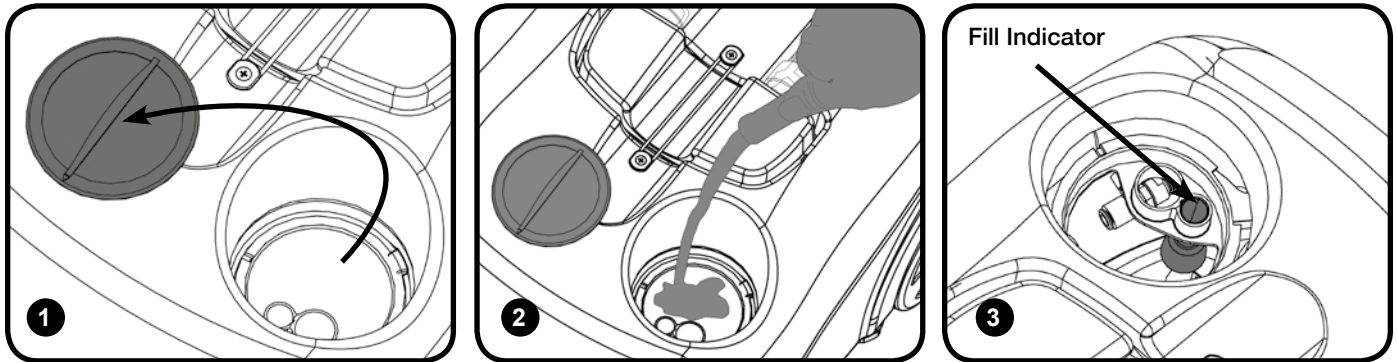
Ensure inspection cap is in place on the fluid pipe. (Fig.4) - (Fig.5)

For fitting the floor tool blades  
(See Page 10).



## Filling the Clean Water Tank

The TGB 516 is equipped with a large 18 litre clean-water tank allowing large areas to be cleaned in a single fill.

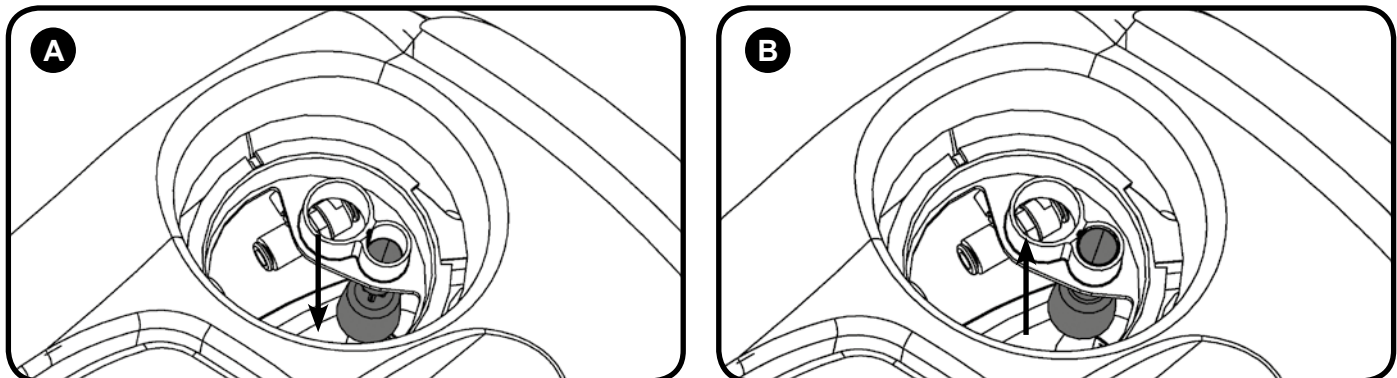


To fill the clean-water tank, remove the filler cap (Fig.1). Fill using a hose, bucket or a suitable container (Fig.2). Use the fill indicator (Fig.3).

**NOTE:** Great care must be taken to ensure that contaminants (leaves, hair, dirt, etc.) are not allowed to enter the clean water tank during the filling process. If using a bucket or similar, ensure it is always clean and free from debris.

## Fill Level Indicator

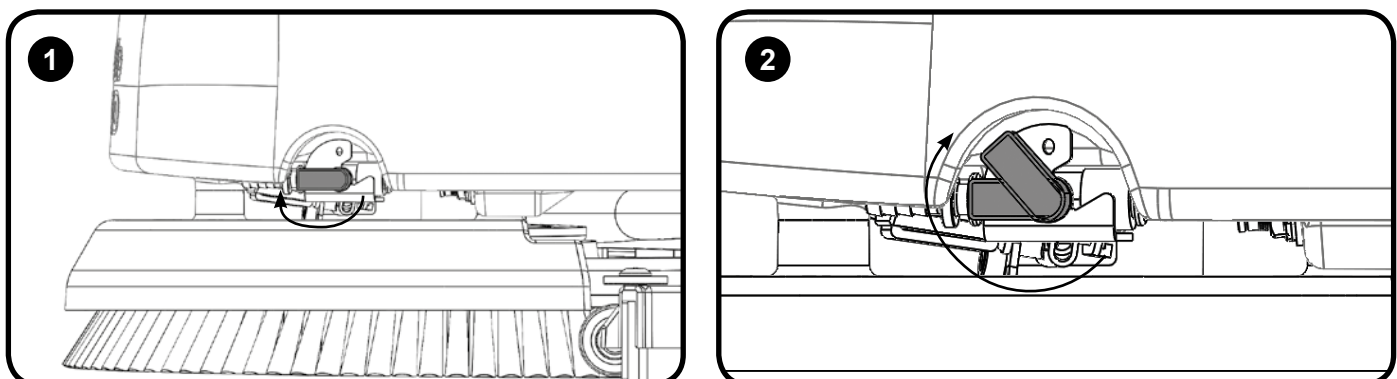
The TGB 516 is equipped with a large 18 litre clean-water tank allowing large areas to be cleaned in a single fill.



Showing the clean-water tank empty  
(Fig.A)

Showing the clean-water tank full  
(Fig.B)

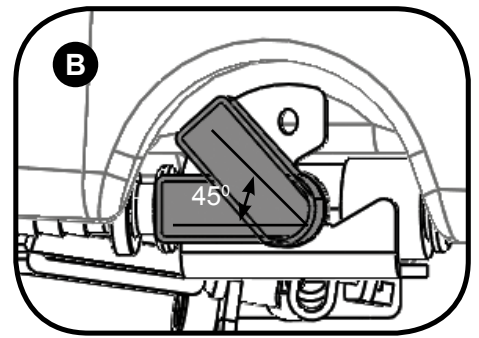
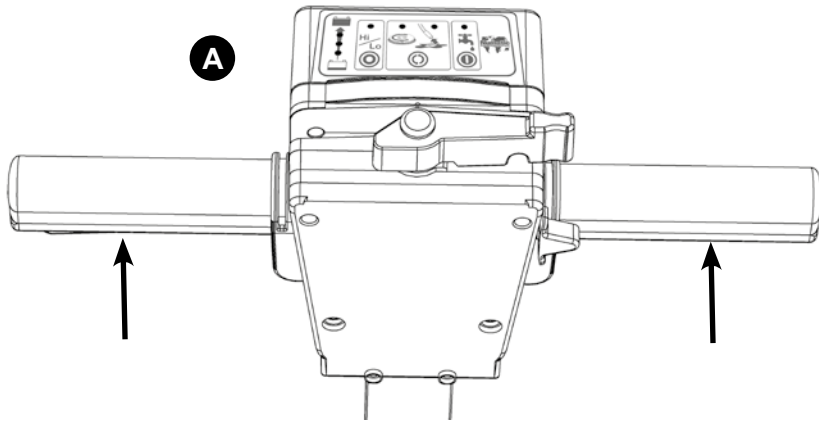
## Water Flow Adjustment



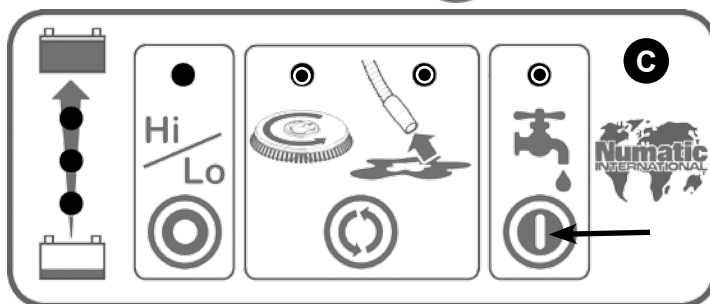
Located on the left of the machine is the On / Off water tap (Fig.1).

Ideally set the tap to 45° this enables the cleaning solution to last the same time as a fully-charged battery (Fig.2).

## Setting the cleaning controls



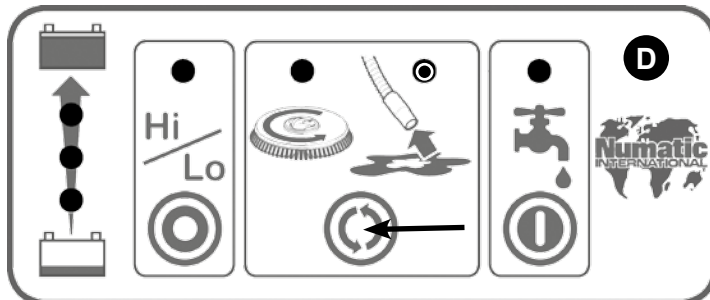
To activate the control panel: press the  Mode select button or press a trigger (Fig.A).



To start: hold down either Trigger and press the On / Off Switch once (Fig.A).

Whilst the brush motor is running press the water flow On / Off Button for fluid control (Fig.C), the clean water On / Off tap must be open.

Ideally set the tap to 450 (Fig.B) this enables the cleaning solution to last the same time as a fully-charged battery.

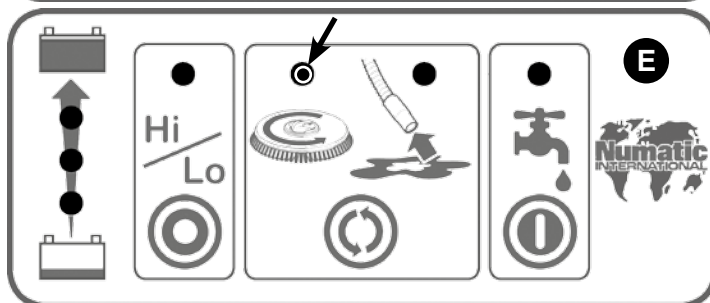


When the Triggers are released the brush motor and the cleaning solution pump will switch off, the vacuum motor will continue for 10 seconds.



Press the mode select button to operate the brush only (Fig.D).

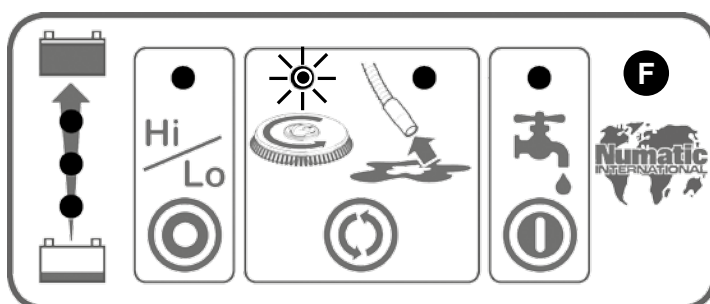
The start sequence is required in this mode. The water flow On / Off button will operate in this mode.



Press the mode select button again to get vacuum only. The On / Off Switch and triggers are not required in this mode. (Fig.E)

Press the mode select button to switch this mode off and return to default mode.

The panel if unused will automatically turn off after 60 seconds.



### Brush Overload

The brush motor will cut out and the brush load light will flash if the brush motor has been overloaded (Fig.F).

Releasing the handle triggers will allow the machine to reset.



### IMPORTANT

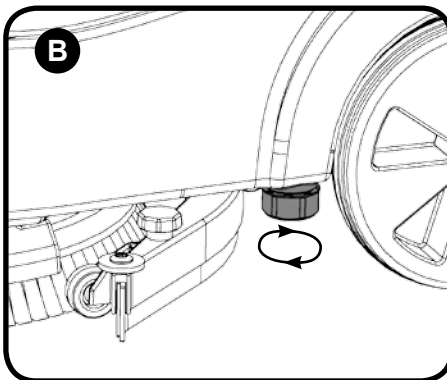
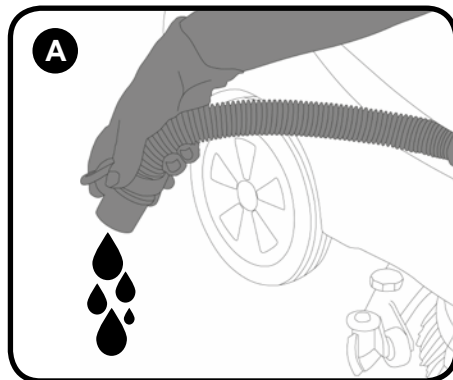
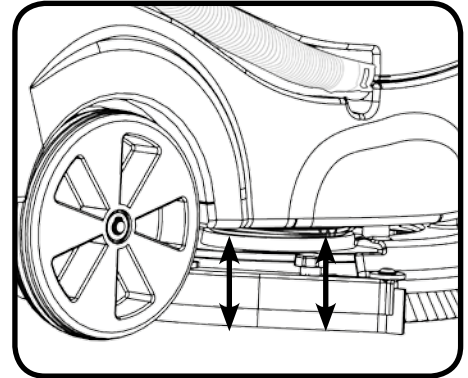
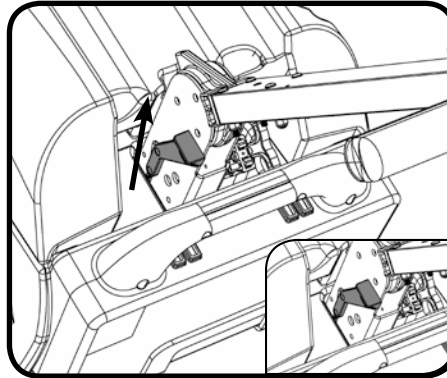
*If the brush motor keeps overloading consider using a different type of brush. Heavy brush load decreases the available battery run time.*





## Raising/Lowering the Floor Tool

To raise the floor-tool, ensure the floor-tool carrier is central to the machine. Lift the lever near the base of the handle and lock into position.



## Emptying Top Tank

After use, empty waste-water tank using emptying hose and flush-out with clean water. (fig.A).

## Emptying Bottom Tank

The clean-water tank can be drained via the yellow cap fitted to the left hand side of the machine. There is a sealing bung beneath the yellow cap (ensure the sealing bung is clean) The cap should only be done up by hand. (fig.B).

**! WHEN HANDLING AND MIXING CHEMICALS !**  
 Always ensure that chemical manufacturer's safety guidelines are followed.  
 Only use chemicals recommended for use in auto scrubber-dryers.

**! IMPORTANT !**  
 Do not operate machine unless the Operator Manual has been read and fully understood.

## Machine In Use

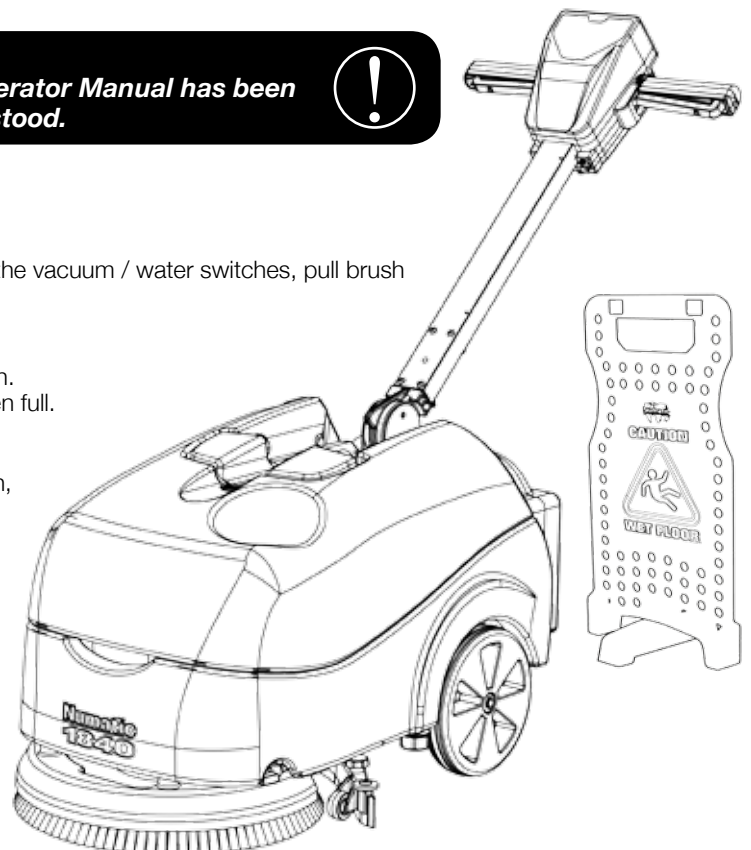
To operate, set water flow rate tap, lower the floor tool, press the vacuum / water switches, pull brush On/Off trigger.

The waste water is then retrieved by the suction floor tool. Overlap each scrubbing path by 10cm to ensure an even clean. Do not operate the machine on inclines that exceed (2%), when full.

On heavily soiled floors use a 'double scrub' technique. First pre-scrub the floor with the floor tool in the raised position, allow the chemical time to work then scrub the area a second time with the floor tool lowered.

If streaking occurs wipe floor tool blades clean.

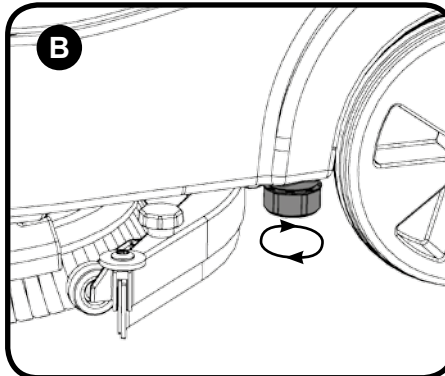
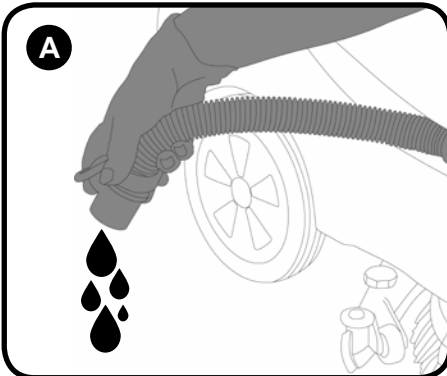
**NOTE:** Care must be taken to reduce speed when cornering or when manoeuvring around obstacles



## Regular Maintenance



**ALWAYS ENSURE THAT THE BATTERY IS DISCONNECTED  
PRIOR TO ANY MAINTENANCE OPERATION**



### Emptying Top Tank

After use, empty waste-water tank using emptying hose and flush-out with clean water. (fig.A).

### Emptying Bottom Tank

The clean-water tank can be drained via the yellow cap fitted to the left hand side of the machine. There is a sealing bung beneath the yellow cap (ensure the sealing bung is clean) The cap should only be done up by hand. (fig.B).

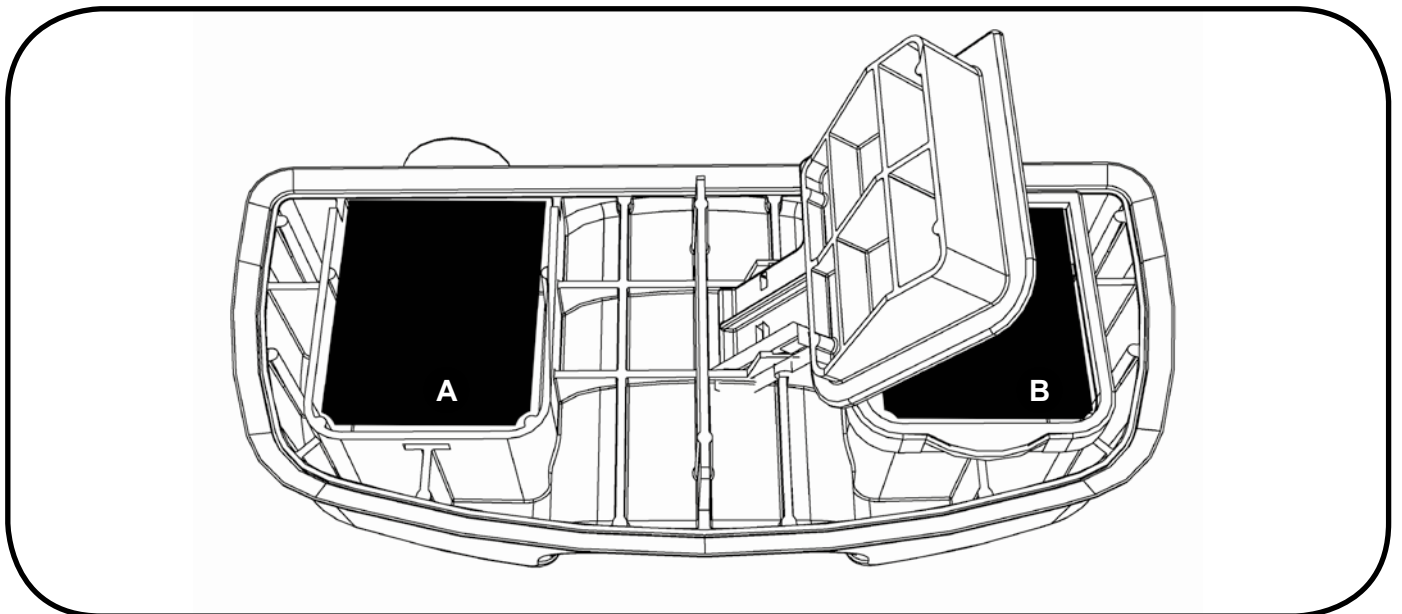
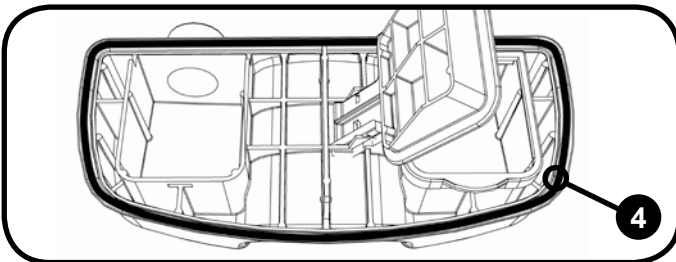
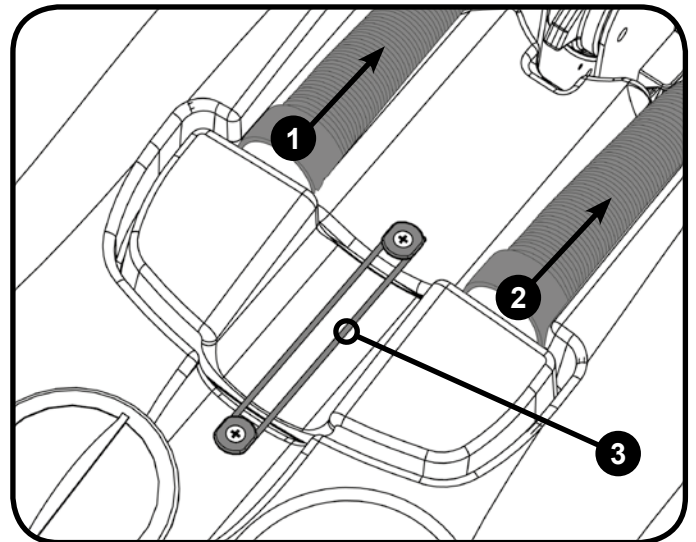
## Separator

Remove the two hoses to disconnect the separator from the machine (Fig.1 & 2).

Remove fixing band holding separator in place (Fig.3).

Lift off the separator. The separator has a sealing-rubber which should be examined at every clean-down (Fig.4).

Rinse using clean water.

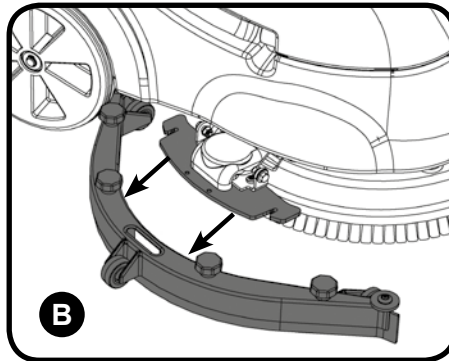
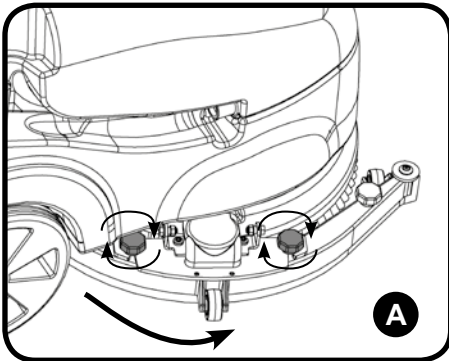


Remove the two filters clipped into the separator and flush with clean water (Fig.A & B). Replace by fitting the rear of the filter first then clipping the front to lock in place.

## Changing the Floor Tool Blades

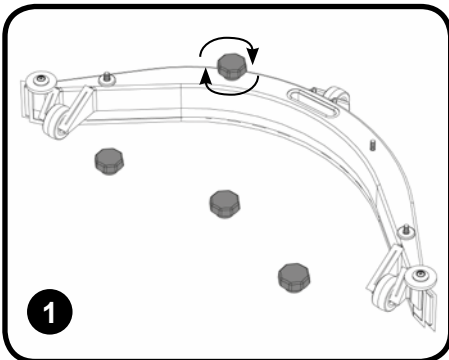


**Always ensure that the machine is switched off prior to any maintenance.**

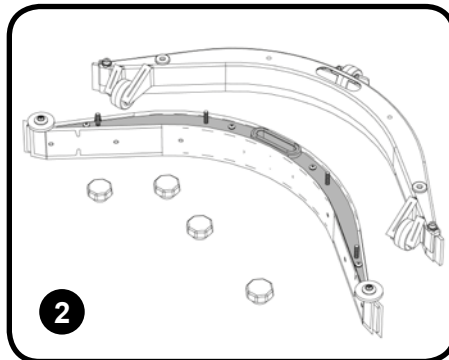


To change the floor-tool, firstly swing the floor-tool clear of the machine. Undo the two floor-tool retaining knobs (Fig.A).

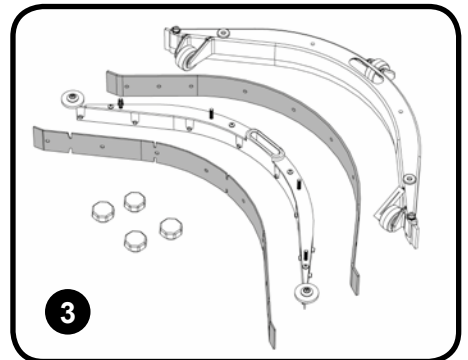
Pull the floortool away from the machine (Fig.B).



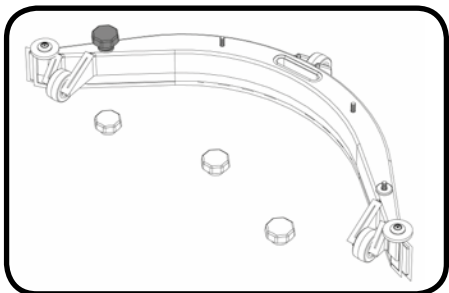
Unscrew the four knobs securing the blade holder (Fig.1).



Remove the blade holder (Fig.2).



Replace the Squeegee blades using (903531) replacement blade set (Fig.3), fitting the blades on to the moulded location lugs.



### Refitting the Floor Tool Blades

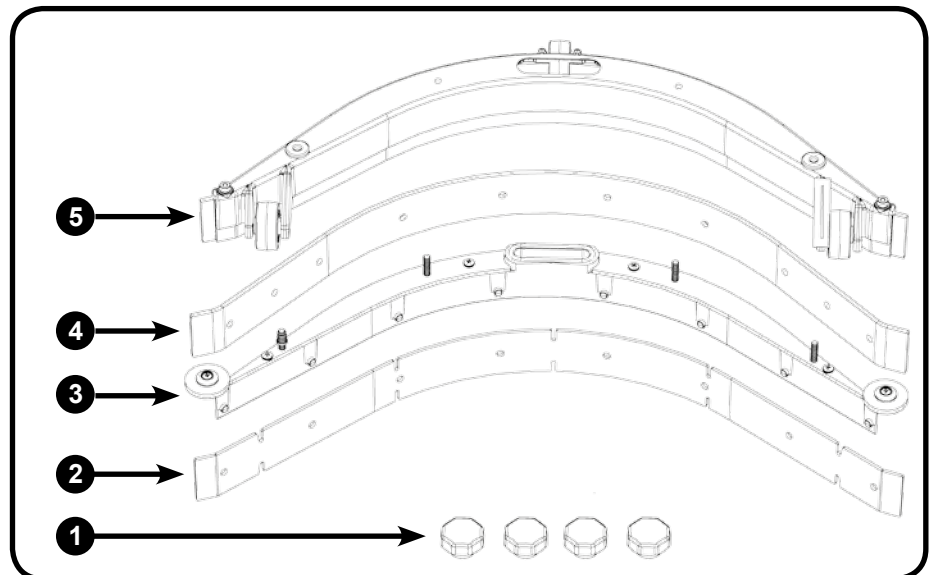
Refit the blade holder, retain using the two outer knobs. Ensure the slotted blade goes to the front of the floor-tool.

**Note:** The blades are designed to be reversible, thus extending their useful working life. Refit the floor-tool using the two central knobs to the floor-tool.

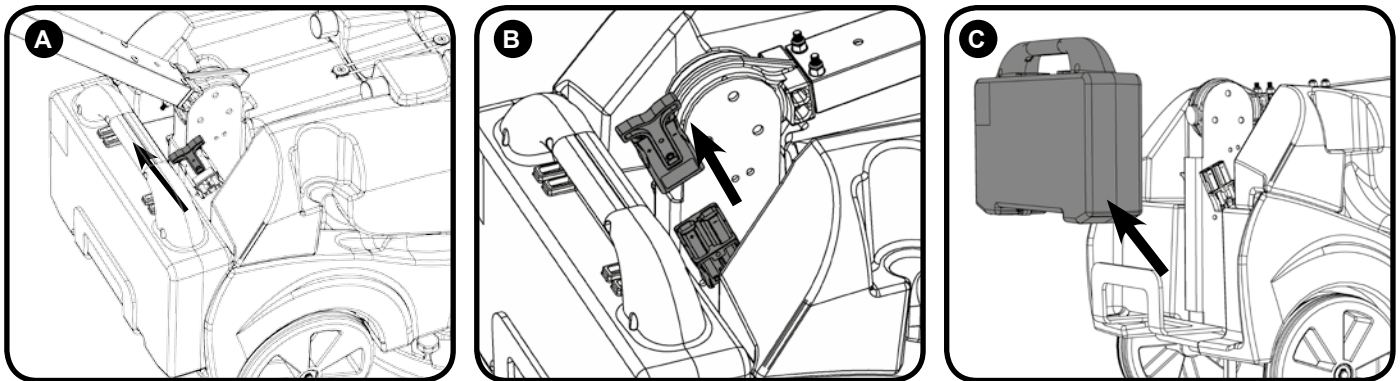
### Floor Tool Overview

1. Retaining knobs x 4
2. Front blade (slotted)
3. Blade carrier
4. Rear blade
5. Floor tool main body

**NOTE:** The blades are designed to be reversible, thus extending their useful working life.



## Removing The Battery



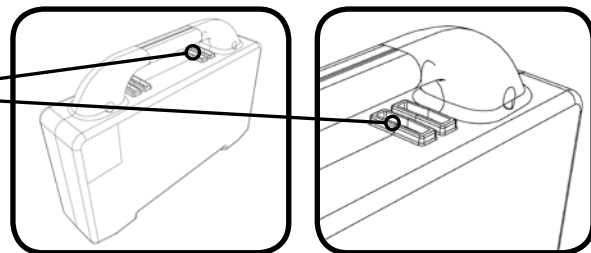
Unplug the battery from the machine using the red connection handle (Fig.A & B).

The battery can then be lifted from the machine for storage or charging (Fig.C).

## Removing The Battery Pack Fuse

The battery pack comes fitted with a 40 amp safety fuse.

Replace the fuse using (208526) Numatic approved part



## Battery Charging

Recharge the machine fully after its last use. Do not leave the machine in a discharged state. Under abnormal use; i.e. leaving the machine without charging for a period of time, we advise that you disconnect the battery from the machine. If the machine will be standing unused for a period of 30 days or more, then batteries must be fully charged.

**Note:** Batteries should be recharged every three months. Charge fully the day before you start using the machine again.

Under normal daily usage: Recharge batteries after each use regardless of machine operation time. Connect the charger unit to the battery and plug the charger into a suitable power supply.



| Signal (LED)        | Meaning   |
|---------------------|---|
| Red LED on          | First phase (constant current mode)                                 |
| Yellow LED on       | Second phase (constant voltage mode)                                |
| Green LED on        | Third phase (constant voltage mode) charge completed                |
| Red LED flashing    | Safety timer exceeded<br>Internal short circuit                     |
| Yellow LED flashing | Battery not connected<br>Output short circuit<br>Unsuitable Battery |

The battery charge level meter displays the charge level of the batteries; when fully charged, all meter lights are illuminated. As the machine is used and the batteries are discharged, the Battery charge level meter lights will go out from top to bottom. If the battery charge level is allowed to discharge to the point that only one red light remains illuminated, the operator should charge the battery.

The battery supplied for this machine allows for a run time of 45 mins approx (Hi Mode), when fully charged.

The battery pack must be fully discharged and recharged over a few cycles and brushes need to be worn in to achieve maximum efficiency.

Charge time for a fully discharged battery, is approximately 6 hours.

The TGB 516 come with its own stand-alone charger.

Connect the charger to a suitable power supply.

Once mains power is connected the red charging indicator will illuminate. To ensure a full charge, the battery should be left for a period of 6 hrs. Once fully charged, disconnect the charger from the power supply and the charger lead from battery.

**Note:** Your charger will need resetting between subsequent battery charging, remove the charger from AC power supply to reset.

## Specifications

| Model - TTB 1840G            |                              |                        |   |  |                     |
|------------------------------|------------------------------|------------------------|---|--|---------------------|
| Brush Motor                  | Vac Motor                    | Brush Sizes            | Pad sizes   | Net Weight                             | Gross Weight (Full) |
| 400 W                        | 24V 300 W                    | 400 mm                 | 360 mm  | 52 Kg                                  | 70 Kg               |
| Protection Class             | Run Time                     | Water Capacity         | Fluid Flow  | Noise                                  | Cleaning Speed      |
| IPX4                         | Hi - 35 mins<br>Lo - 45 mins | 18 L                   | 0 - 0.35 L/Min  | Hi - ≤ 70.3 dB(A)<br>Lo - ≤ 68.2 dB(A) | 0 - 4.2 KPH         |
| Brush Speed                  | Brush Pressure               | Pad Pressure           | Dimensions  | Hand Arm Vibration                     | Recharge Time       |
| Hi - 150 Rpm<br>Lo - 130 RPM | 27.4 g/cm <sup>2</sup>       | 26.2 g/cm <sup>2</sup> | Width = 520 mm<br>Length = 850 mm<br>Height = 1132 mm | 0.6 m/s <sup>2</sup>                   | 6 hrs               |

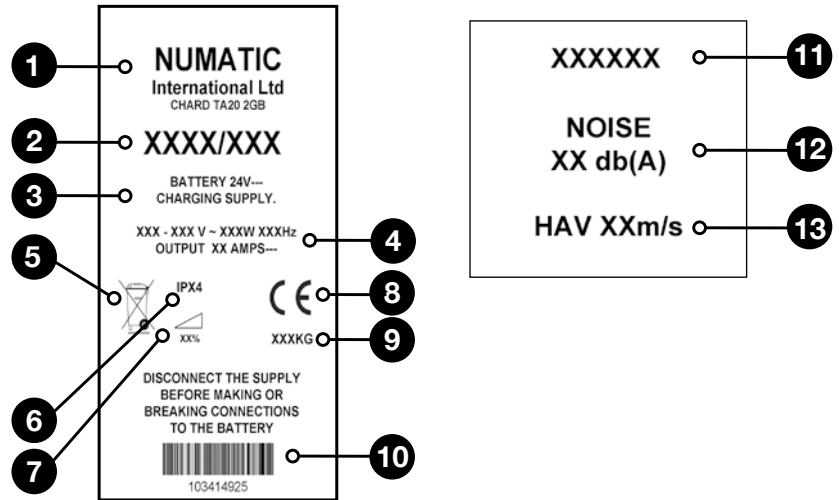
## Trouble Shooting

| PROBLEM                              | CAUSE   | SOLUTION  |
|--------------------------------------|---|---|
| Machine will not operate             | Missing or blown fuses<br>Battery not connected<br>Low battery charge   | Fit or replace fuse (page 8)<br>Connect battery (page 8)<br>Charge batteries (page 19)  |
| Vacuum will not operate              | Vacuum not turned on  | Turn on vacuum (page 14)  |
| Poor water pick-up                   | Waste-water tank full<br>Clogged / blocked vacuum hose<br>Loose hose connections<br>Debris basket filter clogged / blocked<br>Separator filter clogged / blocked<br>Poor separator seal<br>Damaged separator seal<br>Damaged / split vacuum hose<br>Damaged floor-tool blades<br>Low battery charge | Empty waste-water tank (page 15)<br>Remove and clean (page 15)<br>Push tight connections (page 15)<br>Remove and clean (page 15)<br>Remove and clean (page 15)<br>Clean and refit (page 15)<br>Renew (contact service dept)<br>Renew (contact service dept)<br>Renew (contact service dept)<br>Recharge batteries (page 19) |
| No brush / scrub function            | No brushes fitted<br>Brush overloaded   | Check and fit (page 9)<br>Reset machine (page 14)   |
| Little or no water flow              | Clean-water tank empty<br>Clean-water tank filter blocked/ clogged<br>Incorrect water flow setting  | Fill clean-water tank (page 10)<br>Remove and clean (page 15)<br>Adjust tap as desired (page 14)  |
| Machine just 'stops' while operating | To much load on the brush system<br>Blown fuse in Battery pack  | Reset the machine and decrease the brush load to best suit the floor type (page 14)<br>Replace 40 Amp fuse (page 18)  |

**Failure to rectify the problem or in the event of a breakdown contact your Numatic dealer or Numatic Technical helpline +44 (0)1460 269268**

# About the Machine

| Rating Label |                             |
|--------------|-----------------------------|
| 1            | Company Name & Address      |
| 2            | Machine Description         |
| 3            | Voltage Frequency           |
| 4            | Power rating                |
| 5            | WEEE Logo                   |
| 6            | Ingress Protection Rating   |
| 7            | Max Gradient                |
| 8            | CE Mark                     |
| 9            | Weight (ready to use)       |
| 10           | Machine yr/wk Serial number |
| 11           | Machine Description         |
| 12           | Noise Rating                |
| 13           | Hand Arm Vibration          |



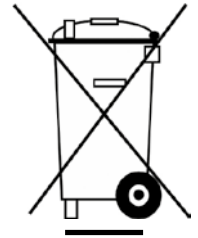
## WEEE (Waste, Electrical and Electronic Equipment)

Scrubber dryer Accessories and packaging should be sorted for environmentally-friendly recycling. Only for EU countries.

Do not dispose of scrubber-dryer into household waste.

According to the European Directive 2002/96/EC on waste electrical electronic equipment and its incorporation into national law.

Scrubber-dryers that are no longer suitable for use must be separated, collected and sent for recovery in an environmentally-friendly manner.



## PPE (Personal protective equipment) that may be required for certain operations.

|                             |                 |                     |               |                        |
|-----------------------------|-----------------|---------------------|---------------|------------------------|
|                             |                 |                     |               |                        |
| Ear Protection              | Safety Footwear | Head Protection     | Safety Gloves |                        |
|                             |                 |                     |               |                        |
| Dust / Allergens Protection | Eye Protection  | Protective Clothing | Hi-Vis Jacket | Caution Wet Floor Sign |

**NOTE:** A risk assessment should be conducted to determine which PPE should be worn.

### Safety Critical Component:

Charging Leads: H05VV-F x 1.0 mm<sup>2</sup> x 3 Core  
Battery Charger: 220 / 240 Volt

**In the event of a breakdown contact  
your Numatic dealer or the  
Numatic Technical  
help line +44 (0)1460 269268**



**ORIGINAL INSTRUCTIONS  
READ MANUAL BEFORE USE**

## Information for Scrubber Dryer

| COMPONENT      | INTERVAL        | INSPECT FOR                                  |
|----------------|-----------------|--|
| Mains Lead     | DAILY           | Scuffing, cracks, splits, conductors showing |
| Brushes        | DAILY           | Bristle damage, wear, drive collar wear      |
| Squeegee Blade | BEFORE EACH USE | Wear, cracks, splits                         |
| Filters        | BEFORE EACH USE | Clogging and debris retention                |
| Tanks          | AFTER EACH USE  | Rinse dirty water tank after use             |



### WARNING

As with all electrical equipment care and attention must be exercised at all times during its use, in addition to ensuring that routine and preventative maintenance is carried out periodically in order to ensure its safe operation.

Failure to carry out maintenance as necessary, including the replacement of parts to the correct standard could render this equipment unsafe and the manufacturer can accept no responsibility or liability in this respect. When ordering spare parts always quote the Model Number / Serial Number specified on the Rating Plate. Warning do not use on slopes exceeding 2%.

This appliance is not intended for use by persons (including children) with reduced physical, sensory or mental capabilities, or lack of experience and knowledge, unless they have been given supervision or instruction concerning use of the appliance by a person responsible for their safety. Children should be supervised to ensure that they do not play with the appliance. When detergents or other liquids are used, read the manufacturer's instructions.

Only use brushes provided with the appliance or those specified in the instruction manual. The use of other brushes may impair safety. A full range of brushes and accessories are available for this product. Only use brushes or pads which are suitable for the correct operation of the machine for the specific task being performed.

It is essential that this equipment is correctly assembled and operated in accordance with current safety regulations. When using the equipment always ensure that all necessary precautions are taken to guarantee the safety of the operator and any other persons who may be affected. Wear nonslip footwear when scrubbing. Use a respiratory mask in dusty environments. The machine, while charging, must be positioned so that the mains plug is easily accessible. When cleaning, servicing or maintaining the machine, replacing parts or converting to another function the power source shall be switched off. Mains operated machines shall be disconnected by removing the power plug, and battery operated machines shall be disconnected by removing the fuse.

In order to prevent unauthorised use of the machine the power key must be removed after use. Machines left unattended shall be secured against unintentional movement. When detergents or other liquids are used, read the manufacturer's instructions.

Operators shall be adequately instructed as to the correct use of the machine.

If this product does not have a factory installed Numatic battery charger, then it is the responsibility of the owner and user of the product to ensure that the charging system and battery combination are compatible, fit for purpose and safe to use.



### CAUTION

This machine is not suitable for picking-up hazardous dust. Do not use on surfaces having a gradient exceeding that marked on the appliance. The machine is not to be stored outdoors in wet conditions. This machine is for indoor use only. Read the instruction manual before using the appliance. This product meets the requirements of IEC 60335-2-72

**NOTES: This machine is also suitable for commercial use, for example in hotels, schools, hospitals, factories, shops and offices for other than normal housekeeping purposes.**



### DO

- Ensure only competent persons unpack/assemble the machine.
- Keep your machine clean.
- Keep your brushes in good condition.
- Replace any worn or damaged parts immediately.
- Regularly examine the power cord for damage, such as cracking or ageing. If damage is found, replace the cord before further use.
- Only replace the power cord with the correct Numatic approved replacement parts.
- Ensure that the work area is clear of obstructions and / or people.
- Ensure that the working area is well illuminated.
- Pre-sweep the area to be cleaned.



### DON'T

- Use steam cleaners or pressure washers to clean the machine or use in the rain.
- Attempt machine maintenance or cleaning unless the power plug has been removed from the supply outlet.
- Allow any inexperienced repairs. Call the experts.
- Strain cable or try to unplug by pulling on cable.
- Leave the brush pad on the machine when not in use.
- Allow the machine to be used by inexperienced or unauthorised operators or without appropriate training.
- Use the machine without the solution tanks properly positioned on the machine, as shown in the instructions.
- Expect the machine to provide trouble-free, reliable operation unless maintained correctly.
- Run the machine over power cable during operation.
- Lift or pull the machine by any of the operating triggers, use the main handle.
- Remove the handle from the machine except for service and repair.

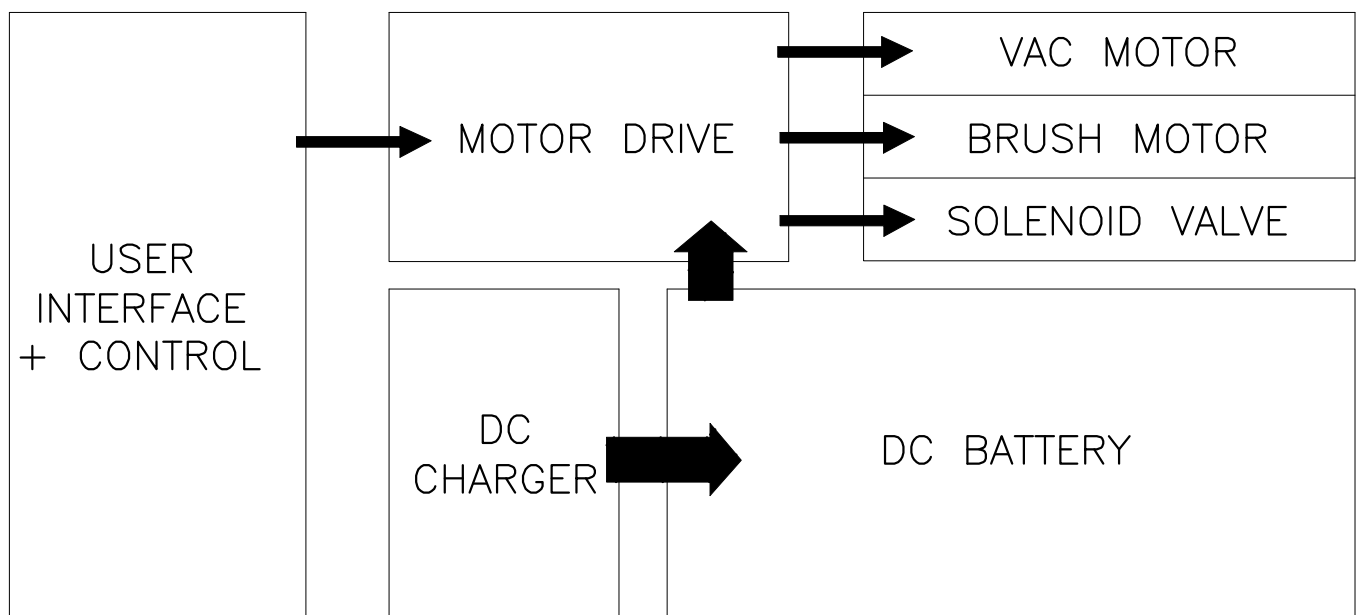




## Spare Parts

| Part No. | SPARES & ACCESSORIES                  | Part No. | SPARES & ACCESSORIES               |
|----------|---------------------------------------|----------|------------------------------------|
| 606260   | BATTERY PACK (BOXED)                  | 903531   | SERILOR REPLACEMENT BLADE SET      |
| 606266   | BATTERY & CHARGER PACK (UK)           | 903532   | SERILOR COMPLETE SQUEEGEE ASSEMBLY |
| 606267   | BATTERY & CHARGER PACK (EURO)         | 303985   | FILLER CAP ASSEMBLY                |
| 606268   | BATTERY & CHARGER PACK (SWISS)        | 903544   | FILLER CAP LID                     |
| 606269   | BATTERY & CHARGER PACK (USA)          | 237232   | SEPERATOR FILTER                   |
| 606270   | BATTERY & CHARGER PACK (SOUTH AFRICA) | 237260   | GRIT BASKET                        |
| 606271   | BATTERY & CHARGER PACK (AUS)          | 231054   | SUCTION HOSE                       |
| 606272   | CHARGER PACK (UK)                     | 213055   | VAC HOSE                           |
| 606273   | CHARGER PACK (EURO)                   | 208471   | CONSTANT TENSION CLIP              |
| 606274   | CHARGER PACK (SWISS)                  | 303997   | DUMP-HOSE ASSEMBLY                 |
| 606275   | CHARGER PACK (USA)                    | 208448   | TANK DRAIN CAP                     |
| 606276   | CHARGER PACK (SOUTH AFRICA)           | 208526   | REPLACEMENT 40AMP FUSE             |
| 606277   | CHARGER PACK (AUS)                    | 208455   | M5 KNOB (BLACK)                    |
|          |                                       | 208537   | CONSTANT TENSION CLIP (VAC HOSE)   |

## Schematic Diagram



# EU Declaration of Conformity



## EU DECLARATION OF CONFORMITY

We hereby declare under our sole responsibility that the following equipment fulfils all the relevant provisions of the following EU Directives

---

Machinery Directive 2006/42/EC  
EMC Directive 2014/30/EU  
RoHS Directive 2011/65/EU

---

Machine Description: Scrubber Dryer  
Machine Type: TTB, ETB, TGB, HGB Series.

---

Relevant standards upon which conformity is declared include:

EN 60335-1: 2012 + A11:2014  
EN 60335-2-72: 2012  
EN 55014-1: 2006 + A1:2009 + A2:2011  
EN 55014-2: 1997 + A1:2001 + A2:2008  
EN 61000-3-2: 2014  
EN 61000-3-3: 2013  
EN 62233: 2008

---

A technical construction file for this equipment is retained at the manufacturer's address under the authorisation of the following signatory:

Name: Allyn Boyes Position: Development Manager

Signed

Date

9/2/17



Numatic International Ltd  
Chard Somerset  
TA20 2GB  
www.numatic.co.uk

GB

# Numatic International Warranty

Numatic International Limited warrant to the original purchaser that its products are free of defects in both material or workmanship for the period shown below:-

|   |                            |
|---|----------------------------|
| <b>Homecare and Cleancare Vacuum cleaners.....</b>          | <b>2 Years</b>             |
| <b>Rotary Floor Machines.....</b>                           | <b>2 Years</b>             |
| <b>Twintec Auto Scrubber Dryer.....</b>                     | <b>1 Year</b>              |
| <b>Vario Ride-On Scrubber Dryer.....</b>                    | <b>1 Year / 1500 hours</b> |
| <b>Mopping, Compacts, Combi and Servocare Products.....</b> | <b>1 Year</b>              |
| <b>Individual Accessories and Spare Parts.....</b>          | <b>6 Months</b>            |

Note: This warranty expressly excludes consumable parts such as carbon brushes, floor brushes, mops, batteries etc, that are considered replaceable from time to time during the normal working life of the machine.

- A. The warranty period commences from the date the goods are purchased.
- B. All warranty claims must be processed through the Dealer from whom the equipment was purchased. The Dealer will co-operate with the purchaser throughout the warranty claims procedure and will arrange any necessary repairs using genuine Numatic parts.
- C. If the original Dealer is no longer able to fulfil his obligations please contact Numatic International Limited with full details of the claim and proof of purchase so that this may be processed without delay.
- D. Any warranty claim can only relate to the specific part that is proven to be at fault and for which a replacement will be supplied but cannot be extended to constitute a claim against the complete machine.
- E. Numatic International will supply the Dealer with any warranty parts required, subject to the claim being validated, after return of the faulty items in accordance with Numatic International Limited's General Conditions of Sale.
- F. Claims will not be accepted if they are the result of fair wear and tear, misuse or abuse of any kind.
- G. No replacement will be given unless the appropriate evidence of the validity of the claim has been provided to the satisfaction of Numatic International Limited.
- H. Numatic International Limited reserve the right to charge for any unnecessary work carried out as a result of an invalid claim.
- I. No variation to this warranty may be made or implied by any member of Numatic International Limited or its Dealers unless such variation is in writing and authorised by the Company



Numatic International Limited. Chard, Somerset, TA20 2GB  
Telephone: 01460 68600 Fax: 01460 68458

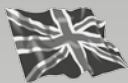
© Numatic International Limited

**This Machine Has Been Packed  
With The Following**

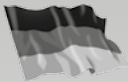
- |                              |                          |
|------------------------------|--------------------------|
| Brush / Pad                  | <input type="checkbox"/> |
| Floor Tool                   | <input type="checkbox"/> |
| NuTab                        | <input type="checkbox"/> |
| Charging Lead & Battery Pack | <input type="checkbox"/> |
| Fuse Pack                    | <input type="checkbox"/> |

*Signed*

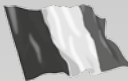
Distributed by:



Numatic International Limited.  
Chard, Somerset TA20 2GB ENGLAND  
Tel.: 01460 68600 [www.numatic.co.uk](http://www.numatic.co.uk)



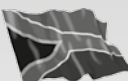
Numatic International GmbH. Fränkische Straße 15–19  
D-30455 Hannover, DEUTSCHLAND  
Tel.: 05 11 98 42 16 0 [www.numatic.de](http://www.numatic.de)



Numatic International SAS. 13 / 17 rue du Valengelier  
77500 CHELLES, FRANCE  
Tel: 01 64 72 61 61 [www.numatic.fr](http://www.numatic.fr)



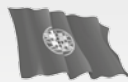
BeNeLux Distribution, Numatic International BV  
Postbus 101, 2400 AC Alphen aan den Rijn, NEDERLAND  
Tel: 0172 467 999 [www.numatic.nl](http://www.numatic.nl)



Numatic International (Pty.) Ltd.  
16th & Pharmaceutical Roads, Midrand, Gauteng, SOUTH AFRICA 1685  
Tel: 0861 686 284 [www.numatic.co.za](http://www.numatic.co.za)



Numatic International Schweiz AG.  
Sihlbruggstrasse 142, 6340 Baar. SCHWEIZ  
Tel: 0041 (0) 41 76 80 76 - 0 [www.numatic.ch](http://www.numatic.ch)



Numatic International ULDA. Centro de Negócios da Maia,  
Rua Albino José Domingues, 581, 4470 – 034 Maia PORTUGAL  
Tel: +351 220 047 700 [www.numatic.pt](http://www.numatic.pt)

This Product has been comprehensively inspected and checked during every stage of its manufacture, including an in-depth electrical safety and functionality test.

Specification subject to change without prior notice  
[www.numatic.co.uk](http://www.numatic.co.uk) © Numatic International Limited

233968 03/17 (A30)